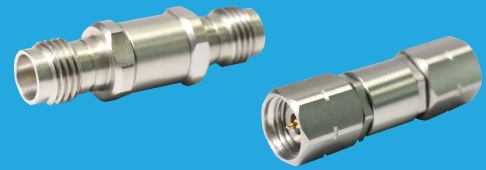


QA22

2.4mm to 2.4mm

Features:
* Low VSWR

Applications:
* Wireless
* Transmitter
* Laboratory Test
* Radar



Electrical

Frequency: DC~50GHz
VSWR: 1.2 max.
Impedance: 50Ω

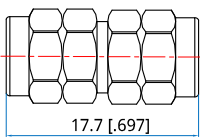
Mechanical

RF Connectors: 2.4mm
Mating Life Cycle: 5000 cycles
Outer Conductor: Passivated SUS303 Stainless Steel
Dielectric: PEI
Inner Conductor: Gold Plated Beryllium Copper

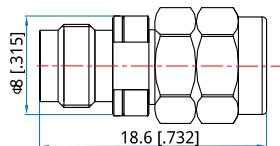
Environmental

Temperature: -60~+165°C

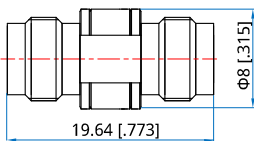
Outline Drawings



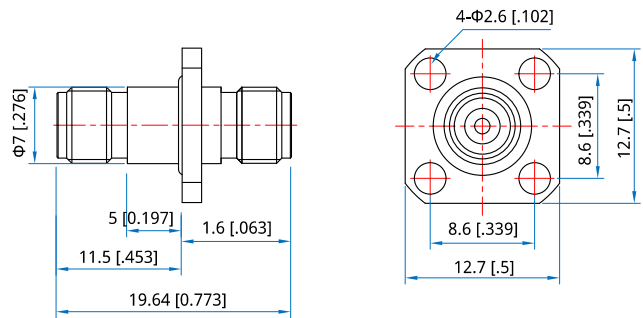
Outline A



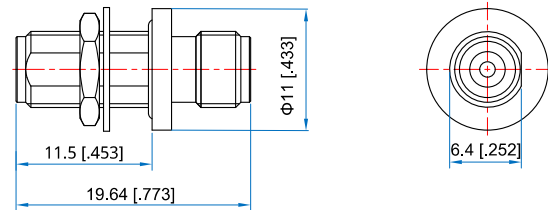
Outline B



Outline C



Outline D



Outline E

Unit: mm [in]
Tolerance: ±0.2mm [±0.008in]

How To Order

- QA22-MM** - 2.4mm(m) to 2.4mm(m), Outline A
- QA22-MF** - 2.4mm(m) to 2.4mm(f), Outline B
- QA22-FF** - 2.4mm(f) to 2.4mm(f), Outline C
- QA22L-FF** - 2.4mm(f) to 2.4mm(f) flange mount, Outline D
- QA22H-FF** - 2.4mm(f) to 2.4mm(f) bulkhead, Outline E

Customization is available upon request.