

QWC-2400-2500

Broadband & High Power

Features:
 * Broadband
 * High Power
 * Low Insertion Loss

Applications:
 * Wireless
 * Radar
 * Laboratory Test

Electrical

Frequency: 2400~2500MHz
 Insertion Loss: 0.3dB max.
 Isolation: 20dB min.
 VSWR: 1.25 max.
 Forward Power: 1500W
 Reverse Power: 1500W

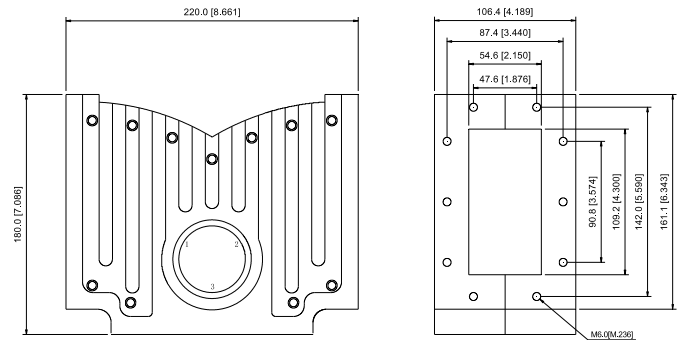
Mechanical

Size: 220.0*180.0*106.4mm
 8.661*7.086*4.189in
 Interface: WR-340 (BJ26)

Environmental

Temperature: 0~+60°C

Outline Drawings



Unit: mm [inch]
 Tolerance: ±0.2mm [±0.008in]

How To Order

QWC-2400-2500

Customization is available upon request.