

## QWCD

### High Power, High Isolation

#### Features:

- \* High Power
- \* High Isolation
- \* Low Insertion Loss
- \* Low VSWR

#### Applications:

- \* Wireless
- \* Radar
- \* Laboratory Test

#### Description

QWCD series Waveguide Circulators cover frequency range 10000~15000MHz. High power, high isolation and low insertion loss make it ideal for a lot of applications like amplifiers, transceivers, etc.

#### Specifications

Part Number	Frequency Range (MHz)	Insertion Loss (dB, max.)	Isolation (dB, min.)	VSWR (max.)	Temperature (°C)
QWCD-10000-12000	10000~12000	0.3	23	1.2	-40 ~ +85
QWCD-10000-11000	10000~11000	0.3	23	1.15	-40 ~ +85
QWCD-10700-12400	10700~12750	0.3	23	1.2	-40 ~ +85
QWCD-11000-12400	11000~12400	0.35	20	1.2	-40 ~ +85
QWCD-12400-13800	12400~13800	0.35	20	1.2	-40 ~ +85
QWCD-13700-14250	13750~14250	0.3	23	1.15	-40 ~ +85
QWCD-14000-15000	14000~15000	0.3	23	1.15	-40 ~ +85

#### Power Handling

Forward Power: 100W  
Reverse Power: 100W

#### Mechanical

Size: 44.5\*44.5\*38.1mm  
1.752\*1.752\*1.500in  
Interface: WR-75 (BJ120)

#### How To Order

##### QWCD-X-Y

X: Start frequency in MHz

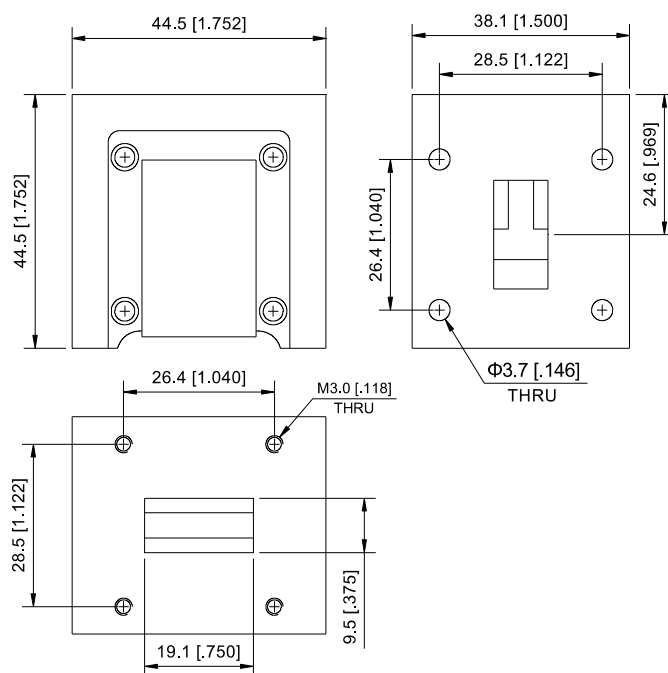
Y: Stop frequency in MHz

#### Examples:

To order a QWCD series circulator, 10000-12000MHz, specify QWCD-10000-12000.

Customization is available upon request.

#### Outline Drawings



Unit: mm [inch]

Tolerance:  $\pm 0.2$ mm [ $\pm 0.008$ in]