

QWCE

High Power, High Isolation

Features:
 * High Power
 * High Isolation
 * Low Insertion Loss
 * Low VSWR

Applications:
 * Wireless
 * Radar
 * Laboratory Test

Description

QWCE series Waveguide Circulators cover frequency range 12400~18000MHz. High power, high isolation and low insertion loss make it ideal for a lot of applications like amplifiers, transceivers, etc.

Specifications

Part Number	Frequency Range (MHz)	Insertion Loss (dB, max.)	Isolation (dB, min.)	VSWR (max.)	Temperature (°C)
QWCE-12400-13750	12400~13750	0.35	20	1.2	-40 ~ +85
QWCE-13750-14500	13750~14500	0.3	23	1.15	-40 ~ +85
QWCE-14500-15500	14500~15500	0.3	23	1.15	-40 ~ +85
QWCE-15000-18000	15000~18000	0.35	20	1.2	-40 ~ +85
QWCE-15500-16500	15500~16500	0.3	23	1.15	-40 ~ +85
QWCE-16500-17500	16500~17500	0.3	23	1.15	-40 ~ +85

Power Handling

Forward Power: 100W
 Reverse Power: 100W

Mechanical

Size: 38.0*38.0*33.0mm
 1.496*1.496*1.299in
 Interface: WR-62 (BJ140)

How To Order

QWCE-X-Y

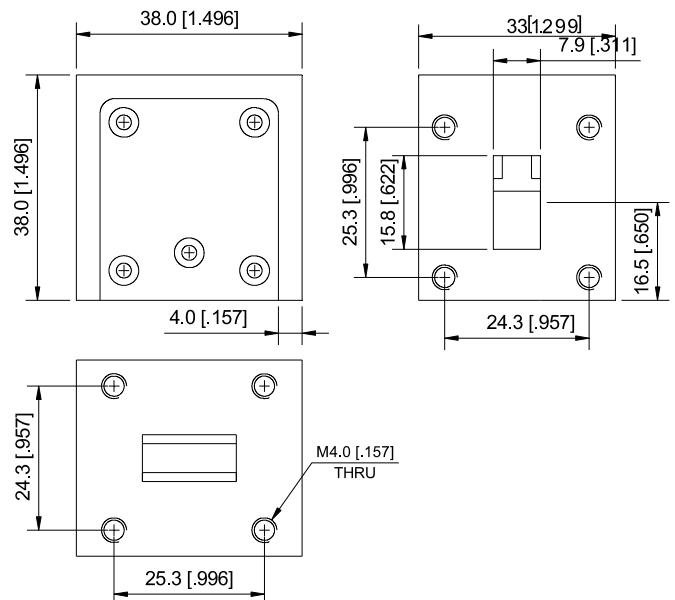
X: Start frequency in MHz
 Y: Stop frequency in MHz

Examples:

To order a QWCE series circulator, 12400-13750MHz, specify QWCE-12400-13750.

Customization is available upon request.

Outline Drawings



Unit: mm [inch]
 Tolerance: ±0.2mm [±0.008in]