

DC-Blocks



2019



Qualwave Inc.

Table of Contents

QDB-10-67000.....	1
QDB-10-50000.....	2
QDB-10-40000.....	3
QDB-10-26500.....	4
QDB-10-18000.....	6

QDB-10-67000

10MHz~67GHz

Features:

- * Broadband
- * High Sensitivity

Applications:

- * Telecom
- * Instrumentation
- * Laboratory Test
- * Radar

Electrical

Frequency Range:	0.01~67GHz
Insertion Loss:	1dB max.
VSWR:	1.5 typ.
Voltage:	16V max.

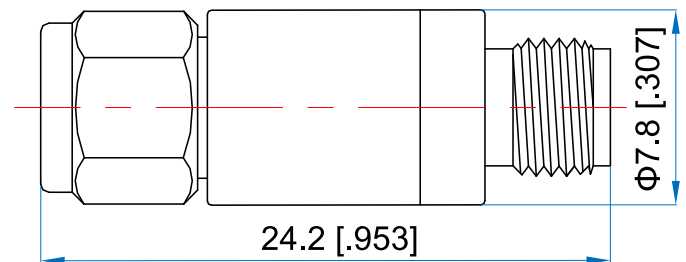
Mechanical

Length:	24.2mm 0.953in
Weight:	100g max.
Connector:	1.85mm Male 1.85mm Female

Environmental

Operating Temperature:	0~+50°C
Non-operating Temperature:	-20~+70°C

Outline Drawings



Unit: mm [in]

Tolerance: ±0.2mm [±0.008in]

How To Order

QDB-10-67000

Customization is available upon request.

QDB-10-50000

10MHz~50GHz

Features:
 * Broadband
 * High Sensitivity

Applications:
 * Telecom
 * Instrumentation
 * Laboratory Test
 * Radar

Electrical

Frequency Range:	0.01~50GHz
Insertion Loss:	0.8dB max.
VSWR:	1.3 max.
Impedance:	50Ω
Voltage:	50V max.

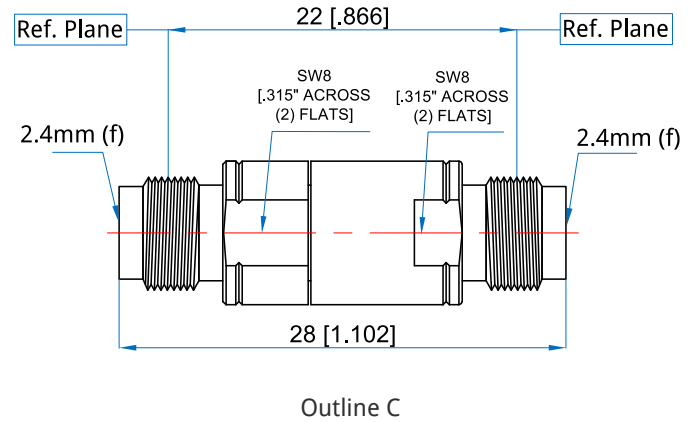
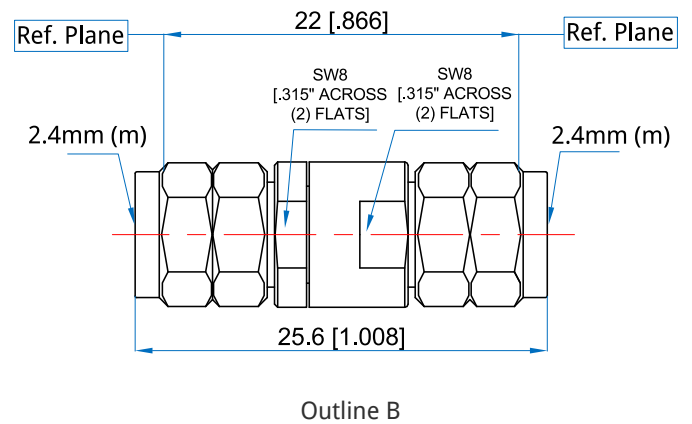
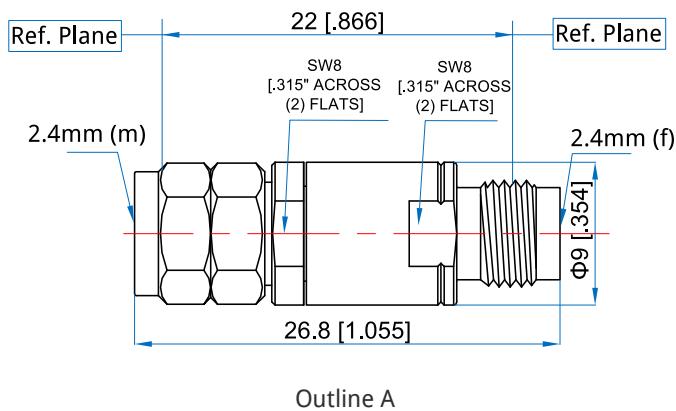
Mechanical

Connectors:	2.4mm
Mating Life Cycle:	500 cycles
Outer Conductors:	Passivated SUS303 Stainless Steel
Dielectric:	PEI
Inner Conductors:	Gold Plated Beryllium Copper

Environmental

Operating Temperature: -55~+165°C

Outline Drawings



Unit: mm [in]
 Tolerance: ±0.2mm [±0.008in]

How To Order

- QDB-10-50000-22F - Outline A
- QDB-10-50000-22 - Outline B
- QDB-10-50000-2F2F - Outline C

Customization is available upon request.

QDB-10-40000

10MHz~40GHz

Features:
 * Broadband
 * High Sensitivity

Applications:
 * Telecom
 * Instrumentation
 * Laboratory Test
 * Radar

Electrical

Frequency Range:	0.01~40GHz
Insertion Loss:	0.8dB max.
VSWR:	1.3 max.
Impedance:	50Ω
Voltage:	50V max.

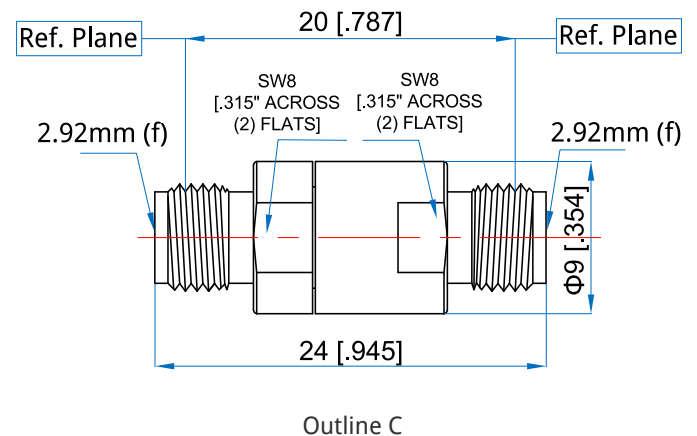
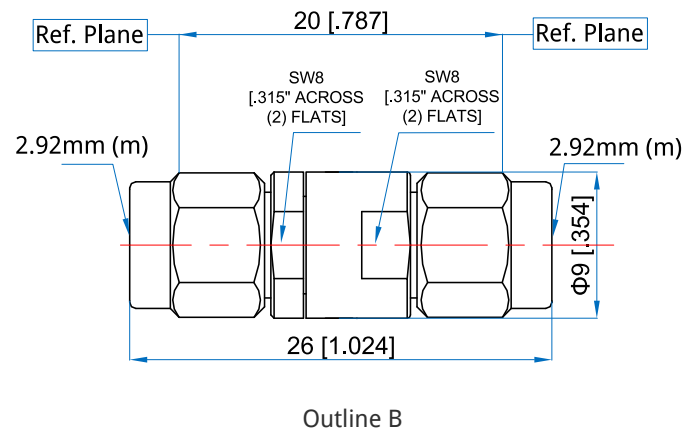
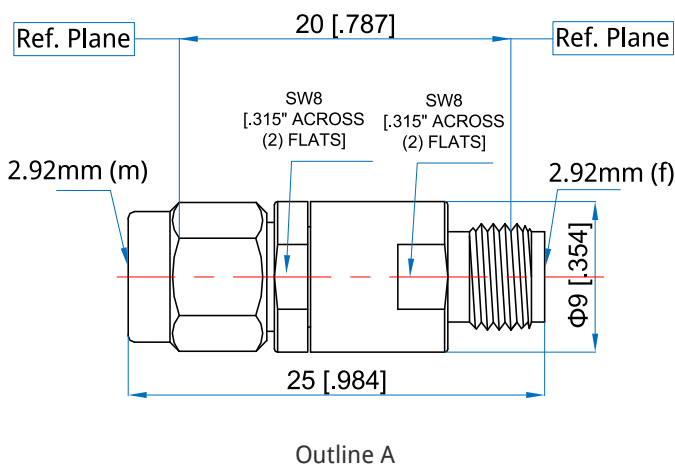
Mechanical

Connectors:	2.92mm
Mating Life Cycle:	500 cycles
Outer Conductors:	Passivated SUS303 Stainless Steel
Dielectric:	PEI
Inner Conductors:	Gold Plated Beryllium Copper

Environmental

Operating Temperature: -55~+165°C

Outline Drawings



Unit: mm [in]
 Tolerance: ±0.2mm [±0.008in]

How To Order

- QDB-10-40000-KKF - Outline A
- QDB-10-40000-KK - Outline B
- QDB-10-40000-KKFK - Outline C

Customization is available upon request.

QDB-10-26500

10MHz~26.5GHz

Features:
 * Broadband
 * High Sensitivity

Applications:
 * Telecom
 * Instrumentation
 * Laboratory Test
 * Radar

Electrical

Frequency Range: 0.01~26.5GHz
 Insertion Loss: 0.8dB max.
 VSWR: 1.3 max. @10~30MHz
 1.25 max. @0.03~26.5GHz
 Impedance: 50Ω
 Voltage: 50V max.

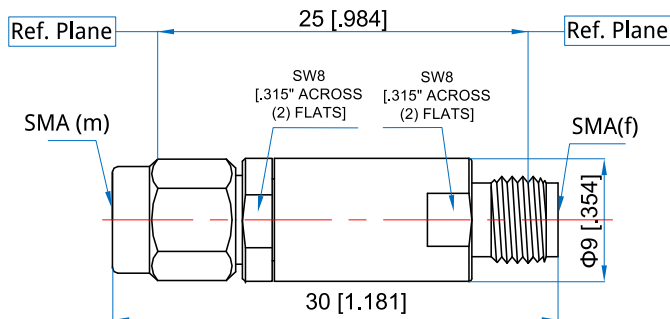
Mechanical

Connectors: SMA, 3.5mm
 Mating Life Cycle: 500 cycles
 Outer Conductors: Passivated SUS303 Stainless Steel
 Dielectric: PTFE or PEI
 Inner Conductors: Gold Plated Beryllium Copper

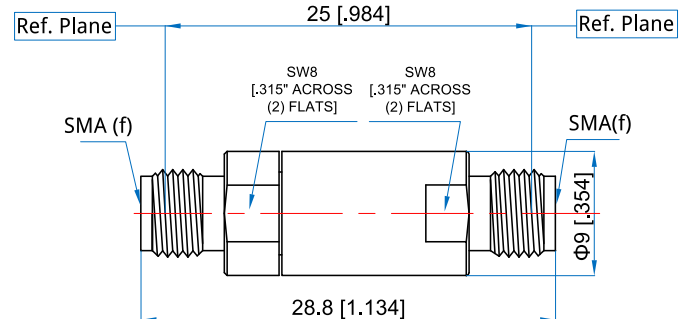
Environmental

Operating Temperature: -55~+165°C

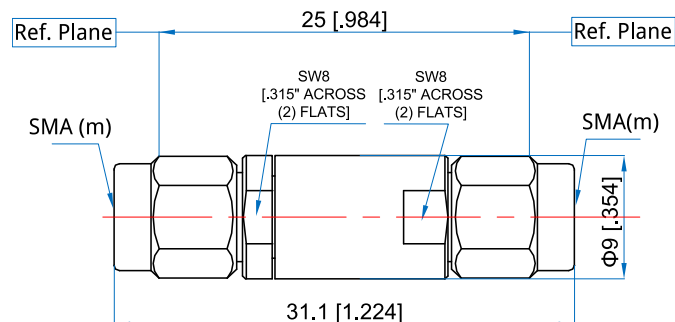
Outline Drawings



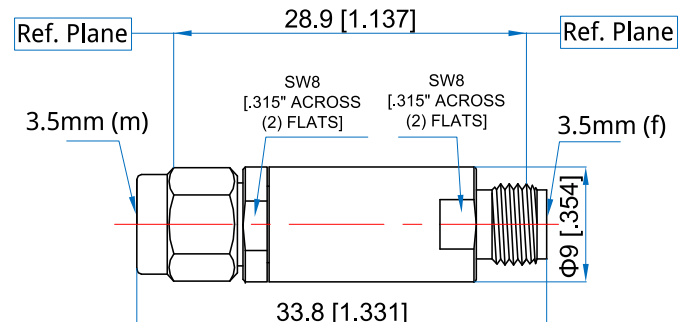
Outline A



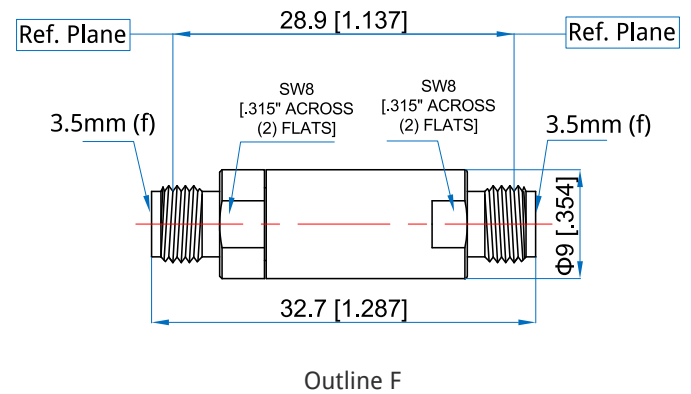
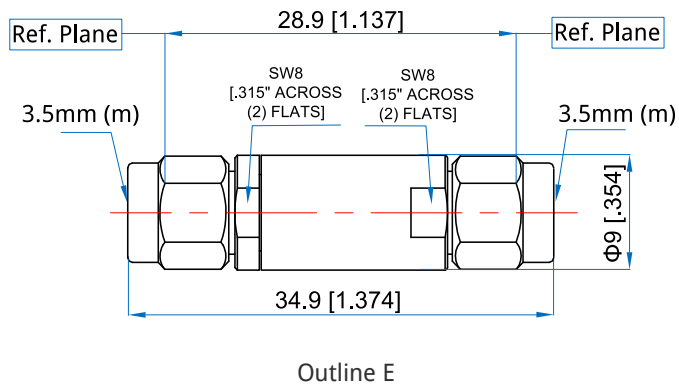
Outline C



Outline B



Outline D



Unit: mm [in]

Tolerance: $\pm 0.2\text{mm}$ [$\pm 0.008\text{in}$]

How To Order

[QDB-10-26500-SSF](#) - Outline A

[QDB-10-26500-SS](#) - Outline B

[QDB-10-26500-SFSF](#) - Outline C

[QDB-10-26500-33F](#) - Outline D

[QDB-10-26500-33](#) - Outline E

[QDB-10-26500-3F3F](#) - Outline F

Customization is available upon request.

QDB-10-18000

10MHz~18GHz

Features:
 * Broadband
 * High Sensitivity

Applications:
 * Telecom
 * Instrumentation
 * Laboratory Test
 * Radar

Electrical

Frequency Range:	0.01~18GHz
Insertion Loss:	0.6dB max.
VSWR:	1.25 max.
Impedance:	50Ω
Voltage:	50V max.

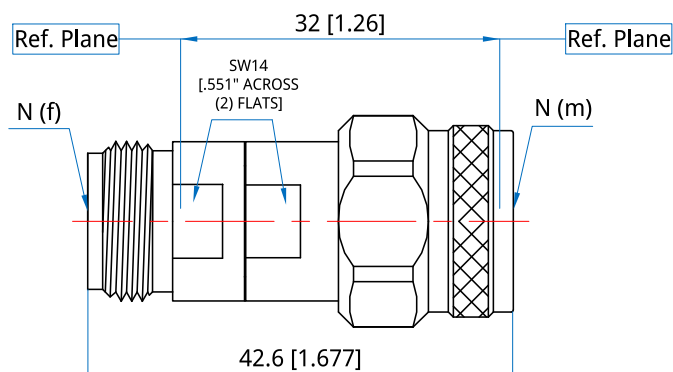
Mechanical

Connectors:	N
Mating Life Cycle:	500 cycles
Outer Conductors:	Passivated SUS303 Stainless Steel
Dielectric:	PEI
Inner Conductors:	Gold Plated Beryllium Copper

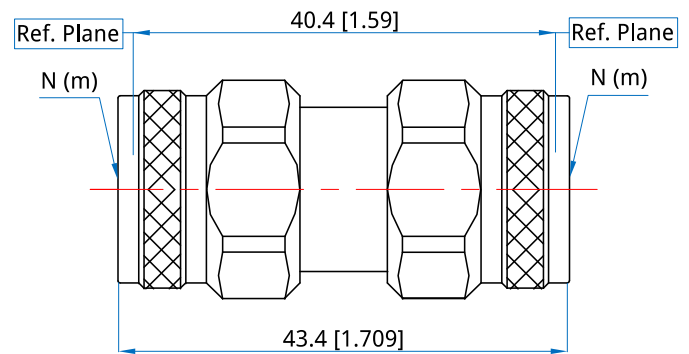
Environmental

Operating Temperature: -55~+165°C

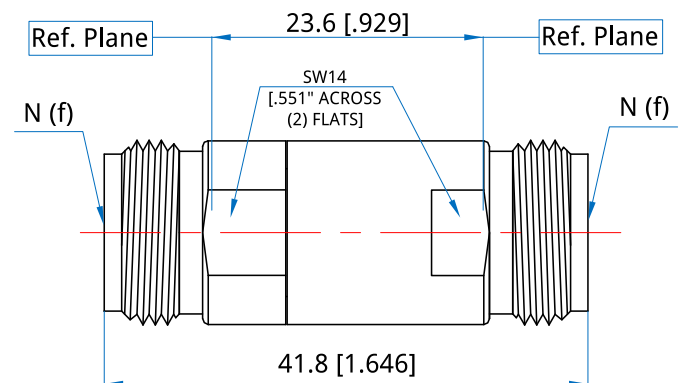
Outline Drawings



Outline A



Outline B



Outline C

Unit: mm [in]
 Tolerance: ±0.2mm [±0.008in]

How To Order

- QDB-10-18000-NNF - Outline A
- QDB-10-18000-NN - Outline B
- QDB-10-18000-NFNF - Outline C

Customization is available upon request.