

## QDB-10-50000

### 10MHz~50GHz

Features:  
 \* Broadband  
 \* High Sensitivity

Applications:  
 \* Telecom  
 \* Instrumentation  
 \* Laboratory Test  
 \* Radar

#### Electrical

Frequency Range:	0.01~50GHz
Insertion Loss:	0.8dB max.
VSWR:	1.3 max.
Impedance:	50Ω
Voltage:	50V max.

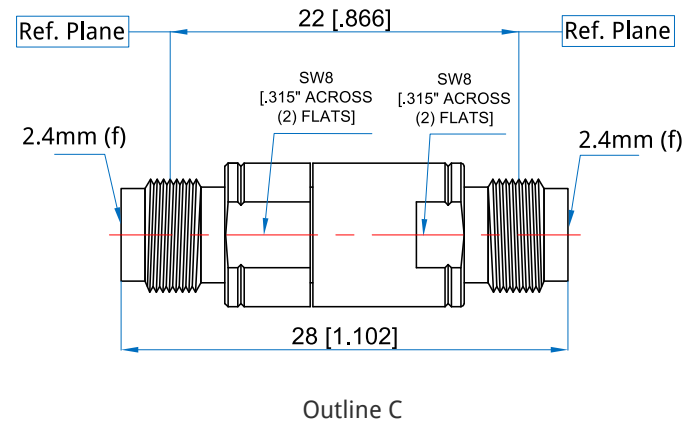
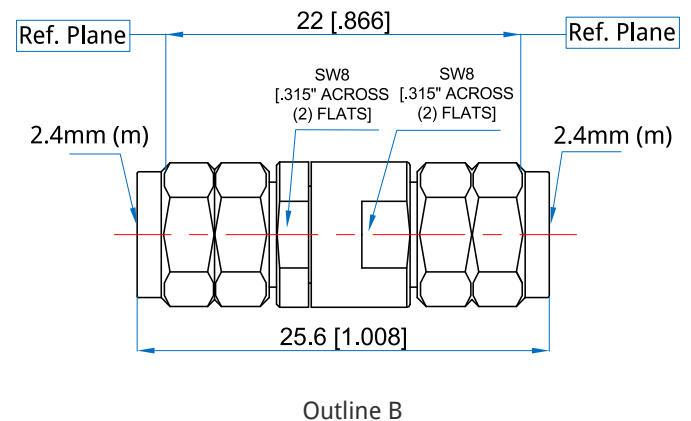
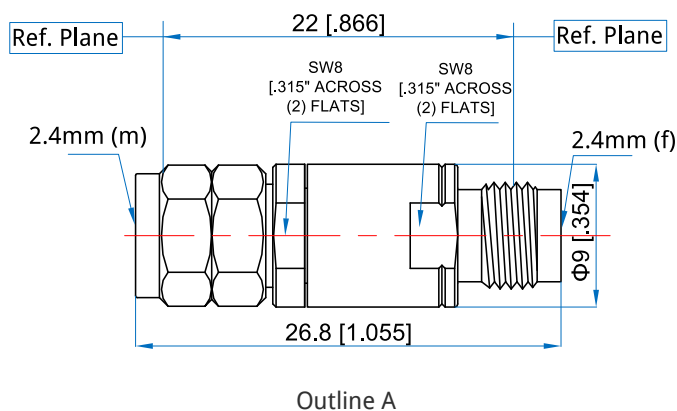
#### Mechanical

Connectors:	2.4mm
Mating Life Cycle:	500 cycles
Outer Conductors:	Passivated SUS303 Stainless Steel
Dielectric:	PEI
Inner Conductors:	Gold Plated Beryllium Copper

#### Environmental

Operating Temperature: -55~+165°C

#### Outline Drawings



Unit: mm [in]  
 Tolerance: ±0.2mm [±0.008in]

#### How To Order

QDB-10-50000-22F - Outline A  
 QDB-10-50000-22 - Outline B  
 QDB-10-50000-2F2F - Outline C

Customization is available upon request.