

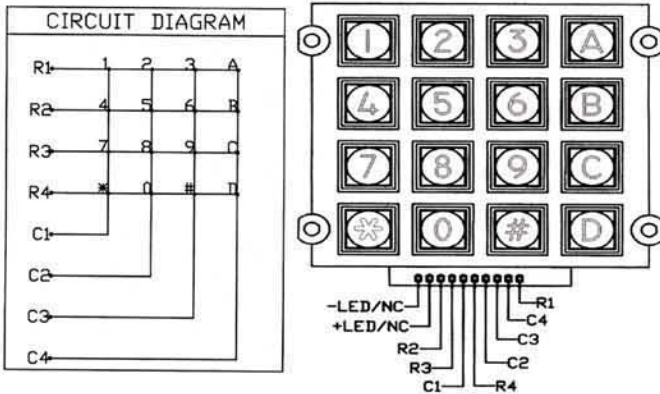


ACCORD CO., LTD.

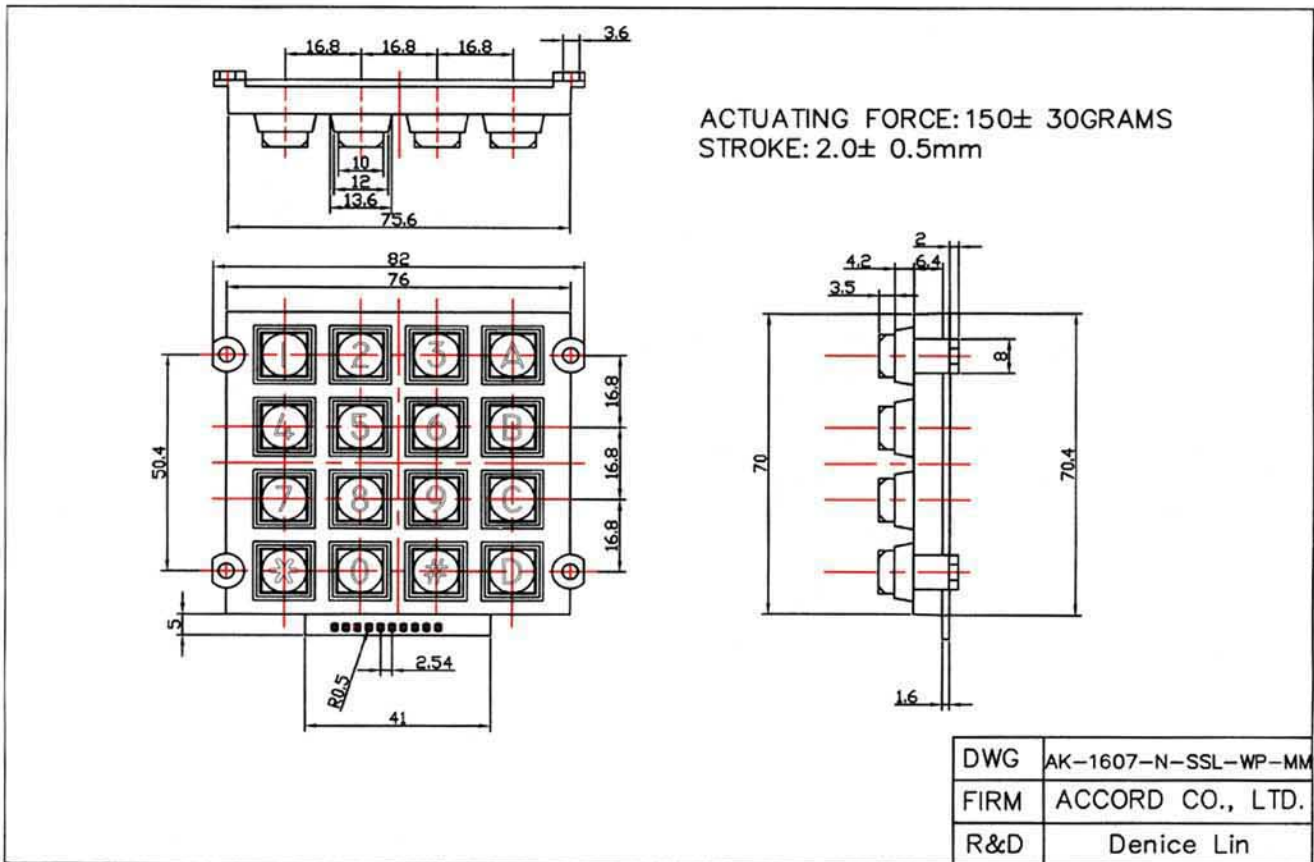
GENERAL SPECIFICATION

- Contact rating : 20mA, 24VDC
- LED Forward Current : 320mA
- LED Contact rating : $V_{max}=2.7V, V_{nom}=2.1V$
- Contact resistance : 200 ohm max
- Life : 2,000,000 cycles per key
- Operating Temperature : $-20^{\circ}C$ to $+60^{\circ}C$
- Storage Temperature : $-40^{\circ}C$ to $+65^{\circ}C$

CIRCUIT DIAGRAM



AK-1607-N-SSL-WP-MM
" RoHS Compliant "



ACCORD CO., LTD.

8th Fl., No. 398, Jen Ai Road, Sec 4. Taipei. Taiwan.

Tel : 886-2-2704-4503

Fax : 886-2-2703-6358

E-mail : accordia@ms4.hinet.net

<http://www.accordia.com.tw>