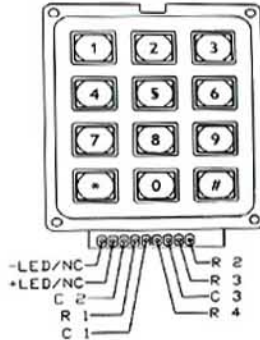
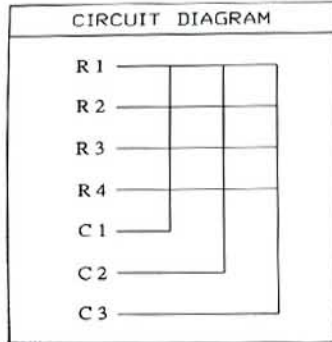


**GENERAL SPECIFICATION**

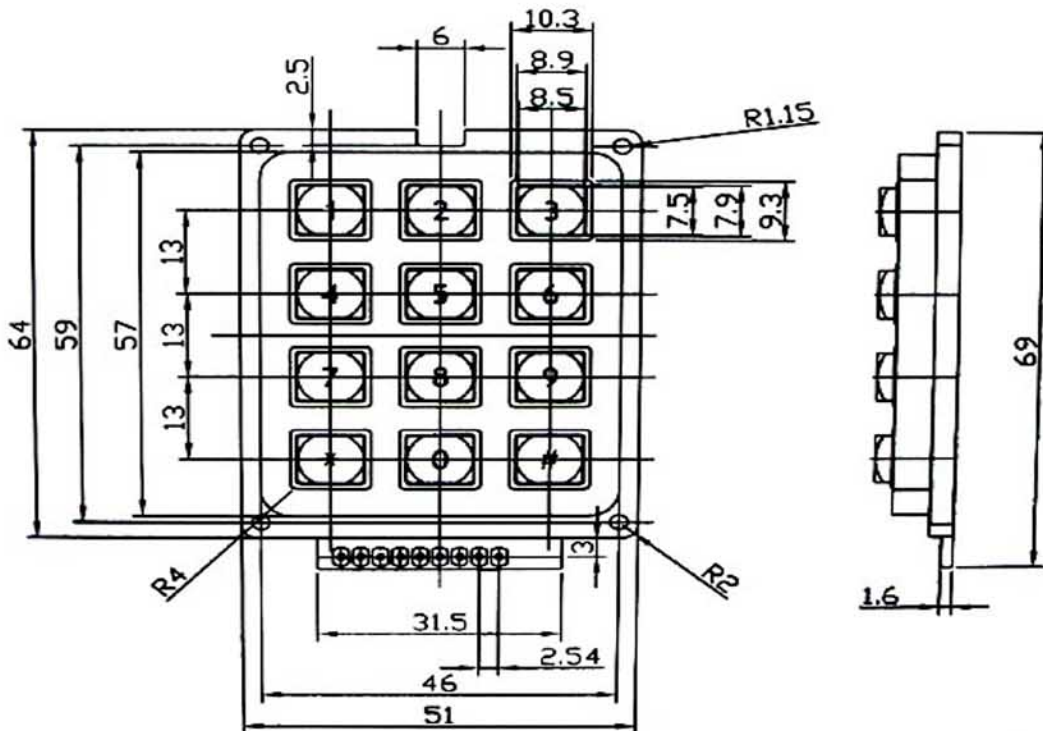
- Contact rating : 20mA, 24VDC
- LED Forward Current : 240mA
- LED Contact rating :  $V_{max}=3.8V, V_{nom}=3.3V$
- Contact resistance : 200 ohm max
- Life : 2,000,000 cycles per key
- Operating Temperature :  $-20^{\circ}C$  to  $+60^{\circ}C$
- Storage Temperature :  $-40^{\circ}C$  to  $+65^{\circ}C$



**AK-304-N-SSL-WP-MM-BL**



ACTUATING FORCE:  $120 \pm 30$  GRAMS.  
STROKE:  $1.4 \pm 0.4$ mm.



**ACCORD CO., LTD.**

8th Fl., No. 398, Jen Ai Road, Sec. 4. Taipei. Taiwan.

Tel: 886-2-2704-4503

Fax: 886-2-2703-6358

E-mail: [accordia@ms4.hinet.net](mailto:accordia@ms4.hinet.net)

<http://www.accordia.com.tw>