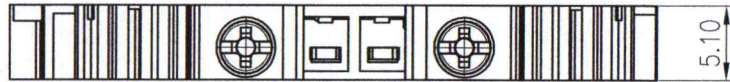
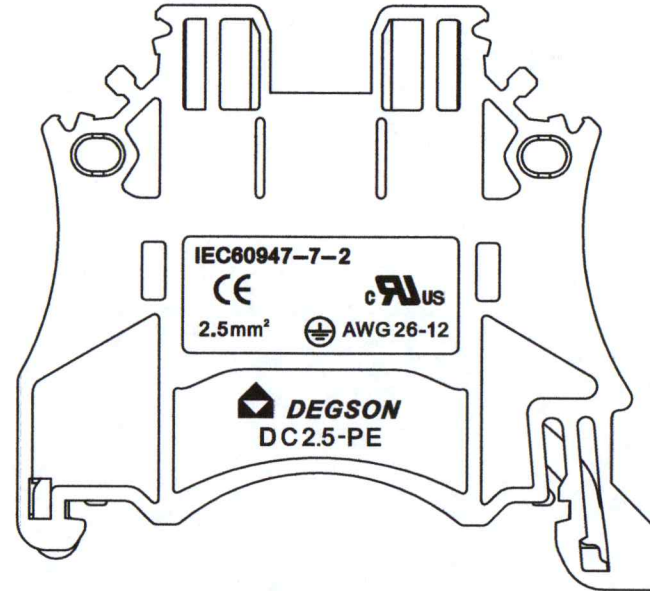
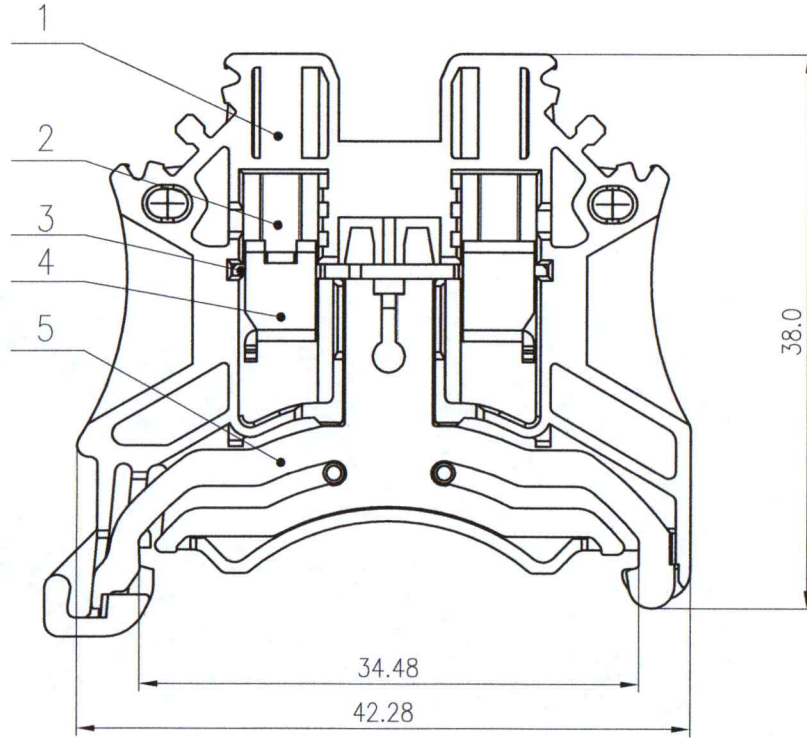
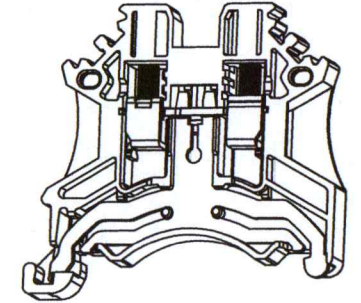


未注公差/General tolerances(mm)											0.1/10		
0	>3	>6	>10	>18	>30	>50	>80	>120	>180	>250		>315	>400
~3	~6	~10	~18	~30	~50	~80	~120	~180	~250	~315	~400	~500	~500
±0.12	±0.18	±0.22	±0.26	±0.31	±0.37	±0.57	±0.80	±0.93	±1.05	±1.15	±1.60	±2.20	±2.50



Please refer to the 3D model for those unmarked dimensions



ITEM	NAME OF PART	MATERIAL	NOTES
5	Grounding	Phosphor Bronze	Zn Plated
4	Cage	Steel	M2.5/Zn Plated
3	Current Carrier	Copper	Zn Plated
2	Screw	Steel	M2.5/Zn Plated
1	Housing	PA66	UL94V-0

EC 标准/IEC Standard:	
过压类别/Overtoltage Category/污染等级/Pollution Degree	III/3
额定电压/电流/Rated Voltage(V)/Current(A)	/
额定脉冲电压(KV)/Rate Impulse Voltage(KV)	8.0
螺丝扭矩/Torque Tightening(N·m/Lb.in)	M2.5, 0.4/3.54
线径范围(硬线和软线)/Wire Range(rigid and flexible)(mm²/AWG)	0.2~2.5/26~12
间距/Pitch(mm)/线数范围/Poles	5.1/N=01P
剥线长度/Stripping length(mm)	8~9
使用温度范围/Operating temperature(°C)	-40~+105
符合RoHS环保要求/Conform to RoHS	Yes

REV	ECN	DESCRIPTION	DRFT	DATE

MATERIAL:	SURFACE: /		
MAT NO.:			
STATUS:	/		
APPD:	NAME: 宁波高松电子有限公司 DEGSON ® NINGBO DEGSON ELECTRICAL CO., LTD		
CHKD: Mark Zhang 2021.08.27	DC2.5-PE-01P-1C-02A(H)		
DRFT: Cen Ch	DRAWING NO.: 11000727	REV	DO-1
SIZE: A4	TYPE: CUSTOMER DRAWING	SCALE: 2:1	SHEET 1/1

Transfer or duplication of this document as well as the utilization or communication of its contents are prohibited unless explicit authorization is granted. Violations will be liable for compensation. All rights reserved for patent, utility model or designs registrations. 除非给予明确授权，否则禁止转让、复制、利用、交流本文档的内容。侵犯专利权和外观设计的所有权。侵权者将承担赔偿责任。侵权者将承担赔偿责任。