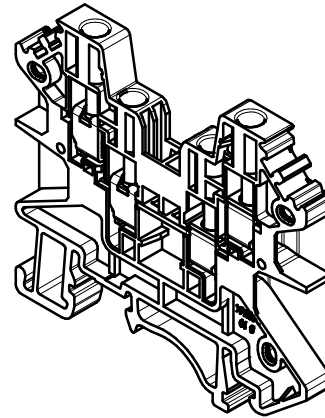
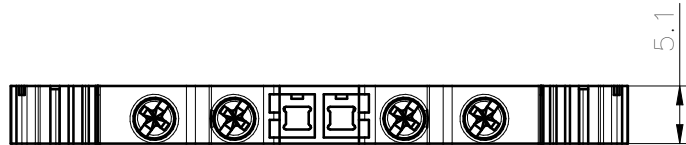


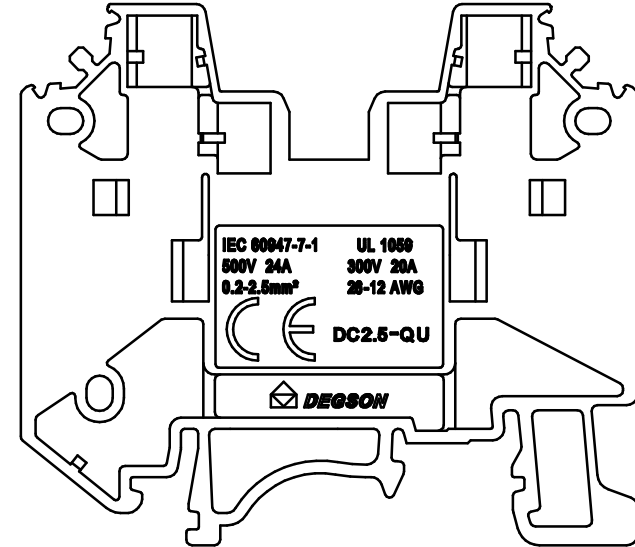
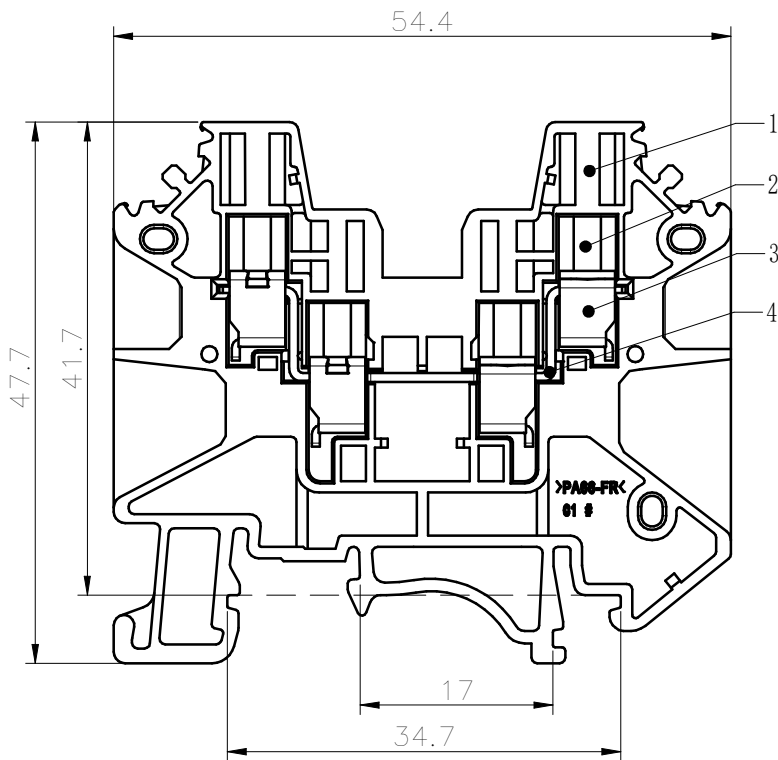
Transfer or duplication of this document as well as the utilization or communication of its contents by any means without the written consent of DEGSON is prohibited. DEGSON will be liable for compensation. All rights reserved for patent, utility model or design registrations. 非经书面明确授权，否则禁止转让、复制、利用、交流本文件的内容，否则将承担法律责任。本公司保留对涉及发明、实用新型和外观设计的所有权利。



未注公差/General tolerances(mm)											D 0.1/10		
0	>3	>6	>10	>18	>30	>50	>80	>120	>180	>250		>315	>400
~3	~6	~10	~18	~30	~50	~80	~120	~180	~250	~315	~400	~500	~500
±0.12	±0.18	±0.22	±0.26	±0.31	±0.37	±0.57	±0.80	±0.93	±1.05	±1.15	±1.60	±2.20	±2.50

UL 标准/UL Standard:	B	C	D
额定电压/电流/Rated Voltage(V)/Current(A)	150V/20	150/20	300/10
IEC 标准/IEC Standard:			
过压类别/Overvoltage Category/污染等级/Pollution Degree	III/3	III/2	II/2
额定电压/电流/Rated Voltage(V)/Current(A)	500/24	/	/
额定脉冲电压(KV)/Rate Impulse Voltage(KV)	6	/	/
螺丝扭矩/Torque Tightening(N·m/Lb.in)	M2.5: 0.4/3.54		
线径范围(硬线和软线)/Wire Range(rigid and flexible)(AWG/mm <sup>2</sup> )	26~12 / 0.2~2.5, 4 (sol)		
间距/Pitch(mm)/线数范围/Poles	5.1/N=01P		
剥线长度/Stripping length(mm)	9~10		
使用温度范围/Operating temperature(°C)	-40~+105		
符合 RoHS 环保要求/Conform to RoHS	Yes		
标准颜色编号/Standard color number: PANTONE / RAL	/ /		

4	Current carrier	Copper	Sn Plated
3	Cage	Steel	M2.5/Zn Plated
2	Screw	Steel	M2.5/Zn Plated
1	Housing	PA66	UL94V-0
ITEM	NAME OF PART	MATERIAL	NOTES



00	/	赵前雄	2022.07.14
REV	ECN	DESCRIPTION	DRFT DATE

		MATERIAL:	SURFACE/COLOR:	
APPD: 李根芳 2022.07.20		MAT NO./REV:	MAT STATUS: 小批量	
CHKD: 马恩开 2022.07.14		NAME		
DRFT: 赵前雄 2022.07.14		DC2.5-QU-01P-1Y-00A(H)		
DRAWING NO.	TYPE	DRAWING STATUS	SCALE	SHEET
200040666	CUSTOMER DRAWING	已发布	2:1	1/1