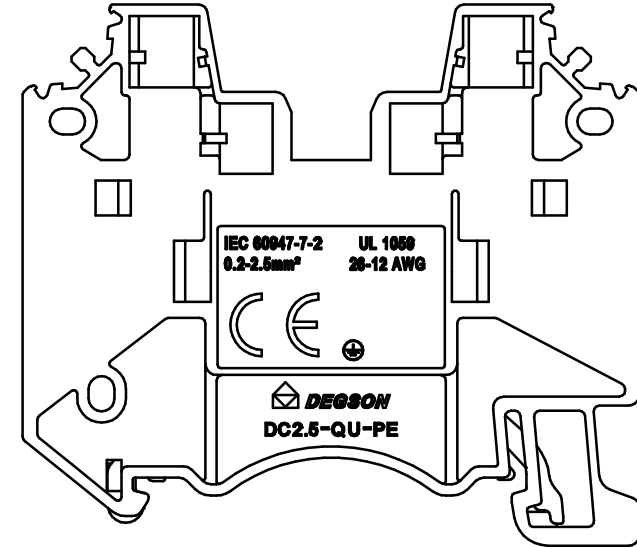
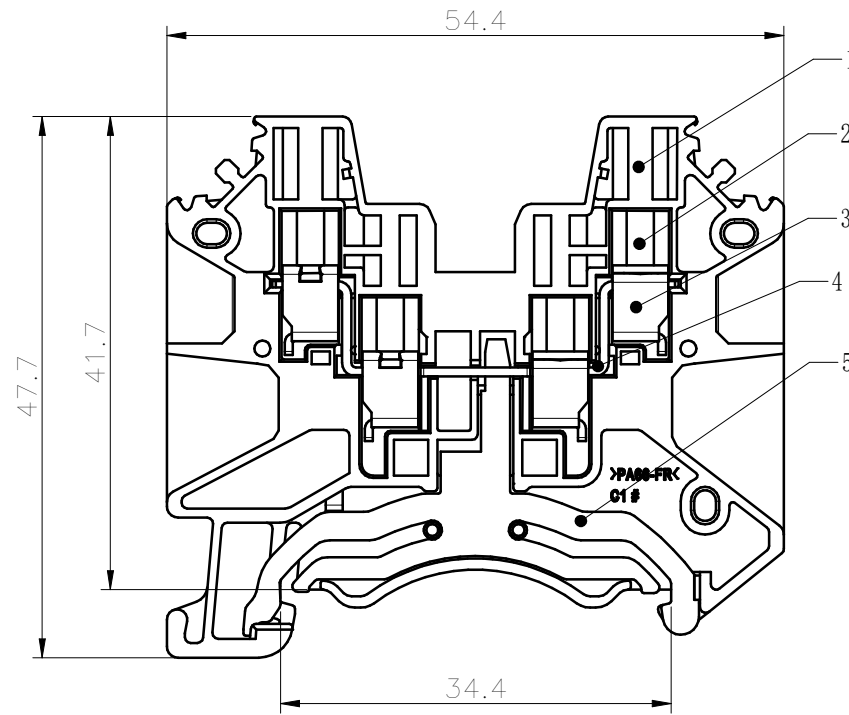


未注公差/General tolerances(mm)											D 0.1/10		
0 ~ 3	>3 ~ 6	>6 ~ 10	>10 ~ 18	>18 ~ 30	>30 ~ 50	>50 ~ 80	>80 ~ 120	>120 ~ 180	>180 ~ 250	>250 ~ 315		>315 ~ 400	>400 ~ 500
±0.12	±0.18	±0.22	±0.26	±0.31	±0.37	±0.57	±0.80	±0.93	±1.05	±1.15	±1.60	±2.20	±2.50

UL 标准/UL Standard:	B	C	D
额定电压/电流/Rated Voltage(V)/Current(A)	/	/	/
IEC 标准/IEC Standard:			
过压类别/Overtoltage Category/污染等级/Pollution Degree	III/3	III/2	II/2
额定电压/电流/Rated Voltage(V)/Current(A)	/	/	/
额定脉冲电压(KV)/Rate Impulse Voltage(KV)	6	/	/
螺丝扭矩/Torque Tightening(N·m/Lb.in)	M2.5, 0.4/3.54		
线径范围(硬线和软线)/Wire Range(rigid and flexible)(AWG/mm ²)	26~12 / 0.2~2.5, 4 (sol)		
间距/Pitch(mm)/线数范围/Poles	5.1/N=01P		
剥线长度/Stripping length(mm)	9~10		
使用温度范围/Operating temperature(°C)	-40~+105		
符合 RoHS 环保要求/Conform to RoHS	Yes		
标准颜色编号/Standard color number: PANTONE / RAL	/ /		

ITEM	NAME OF PART	MATERIAL	NOTES
5	Grounding	Copper alloy	Sn Plated
4	Current carrier	Copper	Sn Plated
3	Cage	Steel	M2.5/Zn Plated
2	Screw	Steel	M2.5/Zn Plated
1	Housing	PA66	UL94V-0



		MATERIAL:	SURFACE/COLOR:
APPD: 李根芳 2022.07.20	CHKD: 马恩开 2022.07.14	MAT NO./REV: 11020000215-1 / 00	MAT STATUS: 小批量
DRPT: 赵前雄 2022.07.14	NAME: DC2.5-QU-PE-01P-1C-00A(H)		
DRAWING NO. 200040672	TYPE: CUSTOMER DRAWING	DRAWING STATUS: 已发布	SCALE: 2:1 SHEET: 1/1

REV	ECN	DESCRIPTION	DRFT	DATE
00	/		赵前雄	2022.07.14

Transfer or duplication of this document as well as the utilization or communication of its contents in any form without the prior written consent of DEGSON will be liable for compensation. All rights reserved for patent, utility model or design registrations. 非经书面明确授权，否则禁止转让、复制、利用、交还本文档的内容，一经发现侵权，本公司保留对涉及发明、实用新型和外观设计的所有权利。