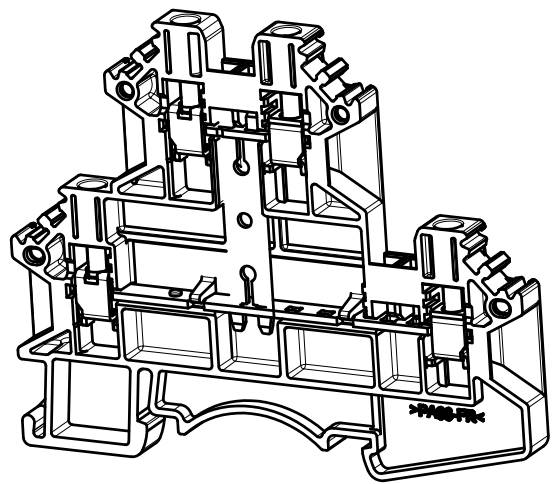
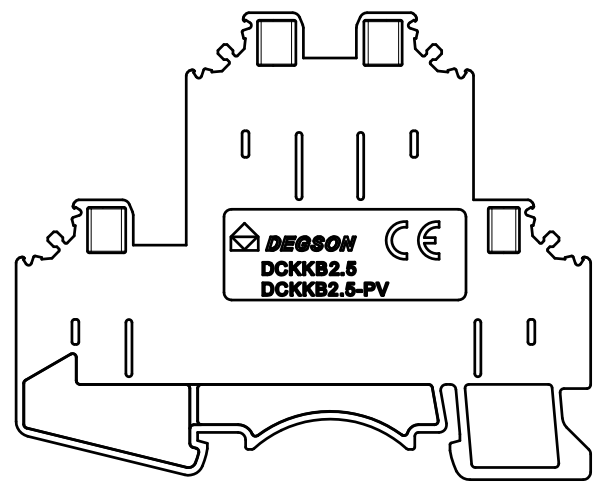


未注公差/General tolerances(mm)												0.1/10 ±2'	
0 ~ 3	>3 ~ 6	>6 ~ 10	>10 ~ 18	>18 ~ 30	>30 ~ 50	>50 ~ 80	>80 ~ 120	>120 ~ 180	>180 ~ 250	>250 ~ 315	>315 ~ 400		>400 ~ 500
±0.12	±0.18	±0.22	±0.26	±0.31	±0.37	±0.57	±0.80	±0.93	±1.05	±1.15	±1.60	±2.20	±2.50



ITEM	NAME OF PART	MATERIAL	NOTES
6	Current_carrier	Copper	Sn Plated
5	Top_bottom Bridge piece	Copper	Sn Plated
4	"+" type Screw	Steel	M2.5/Zn plated
3	Long_current_carrier	Copper	Sn Plated
2	Cage	Steel	M2.5/Zn plated
1	Housing	PA66	UL94V-0

UL 标准/UL Standard:	B	C	D
额定电压/电流/Rated Voltage(V)/Current(A)	300V/20A	/	/
IEC 标准/IEC Standard:			
过压类别/Overvoltage Category/污染等级/Pollution Degree	III/3	III/2	II/2
额定电压/电流/Rated Voltage(V)/Current(A)	500V/24A	/	/
额定脉冲电压(KV)/Rate Impulse Voltage(KV)	6	/	/
螺丝扭矩/Torque Tightening(N·m/Lb.in)	M2.5: 0.4/3.6		
线径范围(硬线和软线)/Wire Range(rigid and flexible)(AWG/mm ²)	26~12 / 0.5~2.5&4 SOL		
间距/Pitch(mm)/线数范围/Poles	5.1/N=01P		
剥线长度/Stripping length(mm)	8~10		
使用温度范围/Operating temperature(°C)	-40~+105		
符合 RoHS 环保要求/Conform to RoHS	Yes		
标准颜色编号/Standard color number: PANTONE / RAL	/		

DEGSON		MATERIAL: /	SURFACE: /
		MAT NO./REV: /	MAT STATUS: 批量
APPD: Peng M	2022.08.30	NAME	
CHKD: Gao WG	2022.08.30	DCKKB2.5-PV-01P-1Y-02A(H)	
DRFT: Liu Y	2022.08.30	DRAWING NO. /	TYPE CUSTOMER DRAWING
		DRAWING STATUS /	SCALE 1:1
		SHEET 1/1	

REV	ECN	DESCRIPTION	DRFT	DATE
00	/	新版本发行	Liu Y	2022.08.30

Transfer or duplication of this document as well as the utilization or communication of its contents are prohibited unless authorized. All rights reserved for patent, utility model or design registrations. 非经书面授权, 复制或传播本文件内容, 或在本文件内容中涉及发明、实用新型和外观设计专利的所有权利。