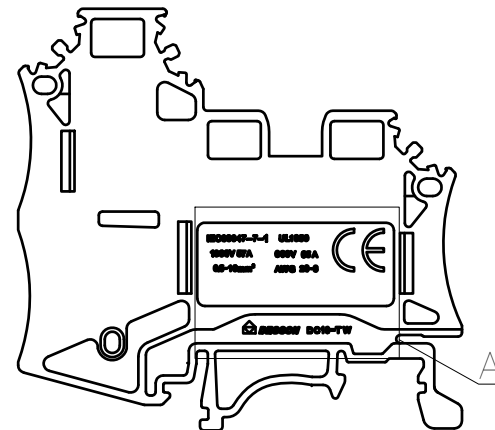
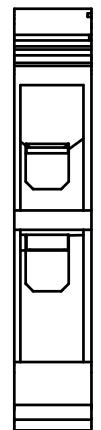
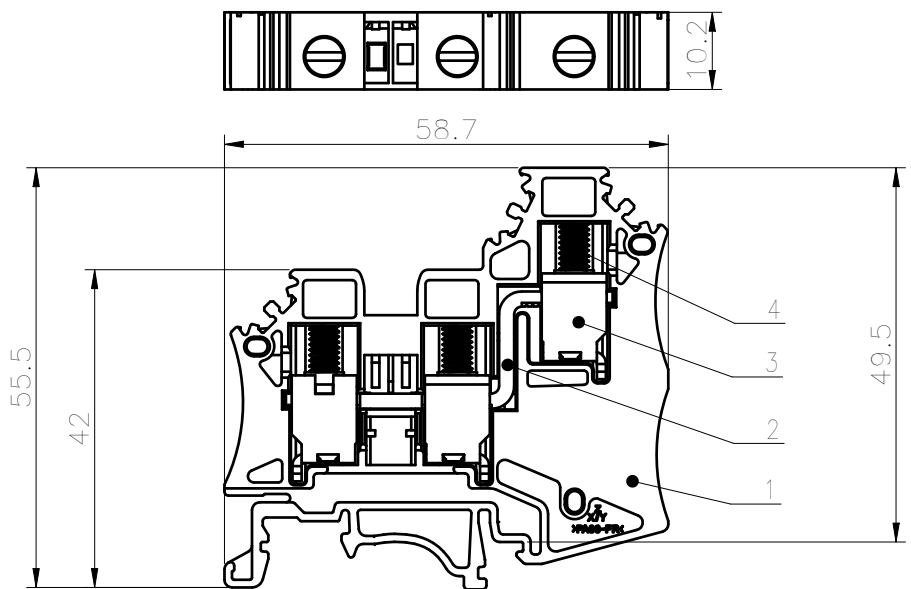
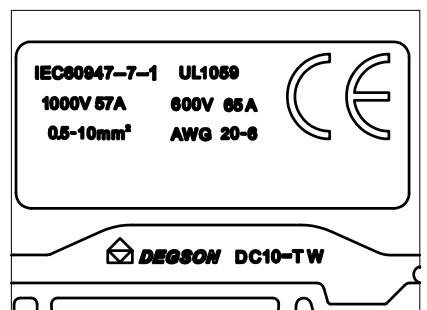
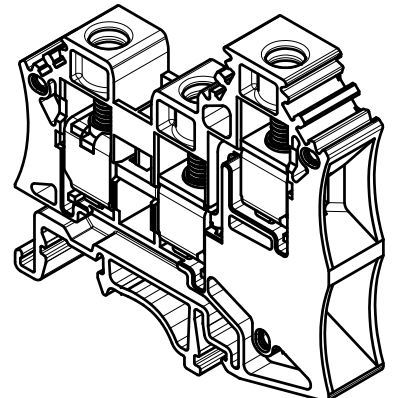


Transfer or duplication of this document as well as the utilization or communication of its contents are prohibited unless written authorization is granted. Customers will be liable for compensation. All rights reserved for patent, utility model or design registrations. 非经书面授权, 否则禁止转让、复制、利用、交加本文件的内容, 一经发现侵权, 本公司保留对侵权人、侵权产品和侵权专利的所有权利。

未注公差/General tolerances(mm)													0.1/10
0	>3	>6	>10	>18	>30	>50	>80	>120	>180	>250	>315	>400	
±0.12	±0.18	±0.22	±0.26	±0.31	±0.37	±0.57	±0.80	±0.93	±1.05	±1.15	±1.60	±2.20	±2.50



Please refer to the 3D model for those unmarked dimensions



A
2:1

ITEM	NAME OF PART	MATERIAL	NOTES
4	Screw	Steel	M4\Zn Plated
3	Cage	Steel	Zn Plated
2	Current carrier	Copper	Sn Plated
1	Housing	PA66	UL94V-0

UL 标准/UL Standard:	B	C	D
额定电压/电流/Rated Voltage(V)/Current(A)	600/65	600/65	/
IEC 标准/IEC Standard:			
过压类别/Overvoltage Category/污染等级/Pollution Degree	III/3	III/2	II/2
额定电压/电流/Rated Voltage(V)/Current(A)	1000/57	/	/
额定脉冲电压(KV)/Rate Impulse Voltage(KV)	8	/	/
螺丝扭矩/Torque Tightening(N·m/Lb.in)	M4, 1.54/14		
线径范围(硬线和软线)/Wire Range(rigid and flexible)(AWG/mm²)	20~6 / 0.5~10,16sol		
间距/Pitch(mm)/线数范围/Poles	10/01P		
剥线长度/Stripping length(mm)	11~12		
使用温度范围/Operating temperature(°C)	-40~+105		
符合 RoHS 环保要求/Conform to RoHS	Yes		
标准颜色编号/Standard color number: PANTONE / RAL	/		

DEGSON		MATERIAL:	SURFACE:
APPD: 李根芳	2022.03.16	MAT NO./REV: 11020000206-1 / 00	MAT STATUS: 设计放行
CHKD: 马恩开	2022.03.15	NAME DC10-TW-01P-11-00A(H)	
DRFT: 刘承博	2022.03.15	DRAWING NO. 200042774	TYPE CUSTOMER DRAWING
		DRAWING STATUS 已发布	SCALE 2:1
		SHEET 1/1	

REV	ECN	DESCRIPTION	DRFT	DATE
01		THICKNESS CHANGE	刘承博	2022.03.15