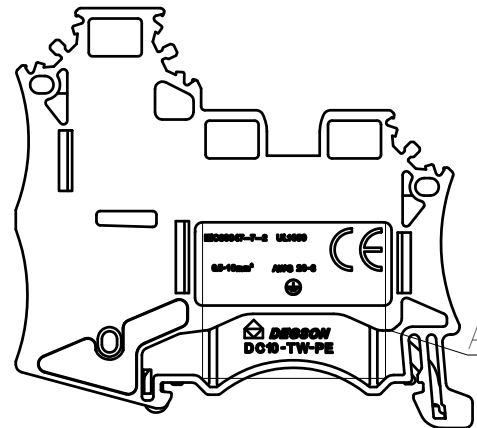
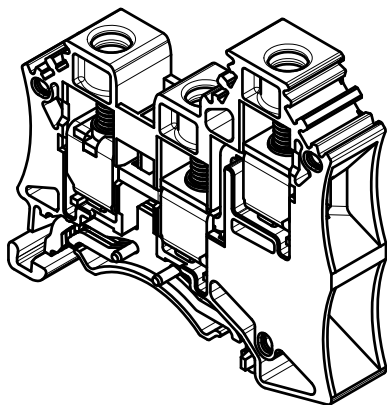


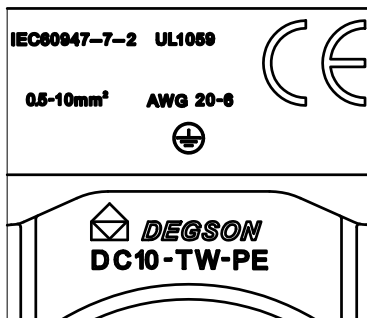
未注公差/General tolerances(mm)												0.1/10		
0 ~ 3	>3 ~ 6	>6 ~ 10	>10 ~ 18	>18 ~ 30	>30 ~ 50	>50 ~ 80	>80 ~ 120	>120 ~ 180	>180 ~ 250	>250 ~ 315	>315 ~ 400		>400 ~ 500	>500
±0.12	±0.18	±0.22	±0.26	±0.31	±0.37	±0.57	±0.80	±0.93	±1.05	±1.15	±1.60	±2.20	±2.50	±2'



Please refer to the 3D model for those unmarked dimensions



A
2:1



ITEM	NAME OF PART	MATERIAL	NOTES
5	Grounding	Copper alloy	Sn Plated
4	Screw	Steel	M4\Zn Plated
3	Cage	Steel	Zn Plated
2	Current carrier	Copper	Sn Plated
1	Housing	PA66	UL94V-0

UL 标准/UL Standard:	B	C	D
额定电压/电流/Rated Voltage(V)/Current(A)	/	/	/
IEC 标准/IEC Standard:			
过压类别/Overvoltage Category/污染等级/Pollution Degree	III/3	III/2	II/2
额定电压/电流/Rated Voltage(V)/Current(A)	/	/	/
额定脉冲电压(KV)/Rate Impulse Voltage(KV)	/	/	/
螺丝扭矩/Torque Tightening(N·m/Lb.in)	M4, 1.54/14		
线径范围(硬线和软线)/Wire Range(rigid and flexible)(AWG/mm²)	20~6 / 0.5~10,16 sol		
间距/Pitch(mm)/线数范围/Poles	10/01P		
剥线长度/Stripping length(mm)	11~12		
使用温度范围/Operating temperature(°C)	-40~+105		
符合 RoHS 环保要求/Conform to RoHS	Yes		
标准颜色编号/Standard color number: PANTONE / RAL	/		

DEGSION		MATERIAL:	SURFACE:
APPD: 李根芳	2022.03.16	MAT NO./REV: 11020000207-1 / 00	MAT STATUS: 设计放行
CHKD: 马恩开	2022.03.15	NAME	
DRFT: 刘承博	2022.03.15	DC10-TW-PE-01P-1C-00A(H)	
REV	ECN	DRAWING NO.	TYPE
		200045453	CUSTOMER DRAWING
		DRAWING STATUS	SCALE
		已发布	2:1
		SHEET	1/1

REV	ECN	DESCRIPTION	DRFT	DATE
01		THICKNESS CHANGE	刘承博	2022.03.15