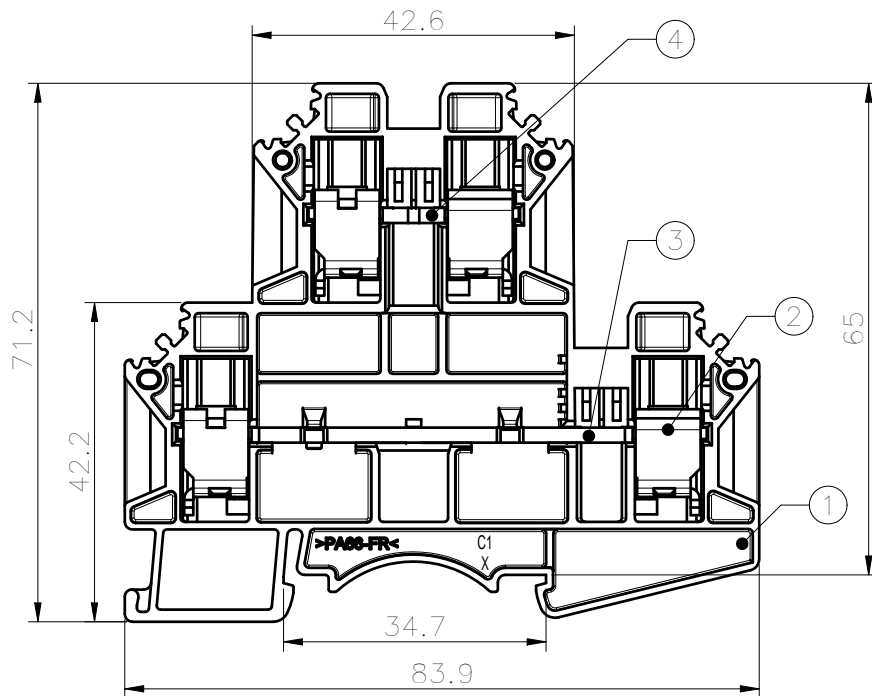
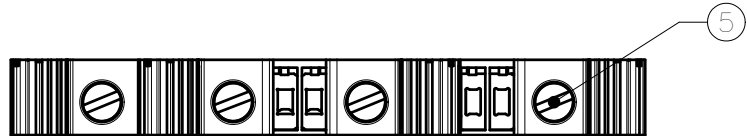
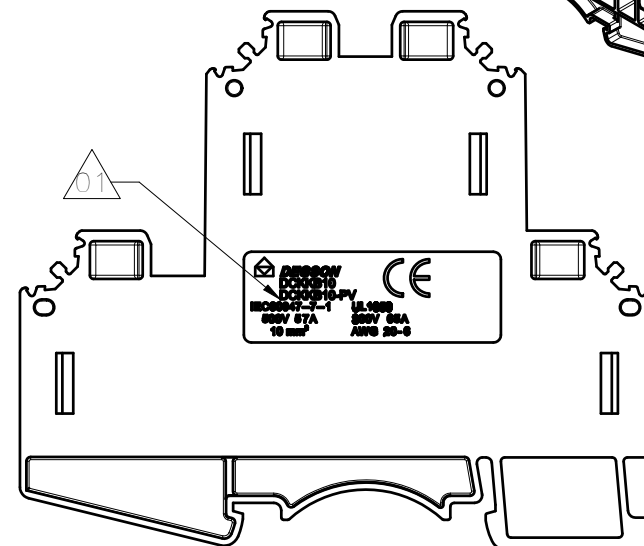
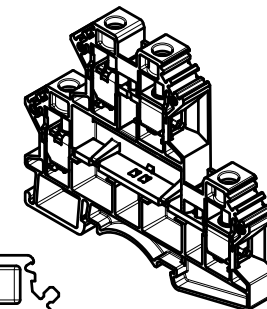


未注公差/General tolerances(mm)													0.1/10
0	>3	>6	>10	>18	>30	>50	>80	>120	>180	>250	>315	>400	
~3	~6	~10	~18	~30	~50	~80	~120	~180	~250	~315	~400	~500	>500
±0.12	±0.18	±0.22	±0.26	±0.31	±0.37	±0.57	±0.80	±0.93	±1.05	±1.15	±1.60	±2.20	±2.50



Please refer to the 3D model, for those unmarked dimensions



UL 标准/UL Standard:	B	C	D
额定电压/电流/Rated Voltage(V)/Current(A)	300V/65	300/65	600/5
IEC 标准/IEC Standard:			
过压类别/Overvoltage Category/污染等级/Pollution Degree	III/3	III/2	II/2
额定电压/电流/Rated Voltage(V)/Current(A)	500/57	/	/
额定脉冲电压(KV)/Rate Impulse Voltage(KV)	6	/	/
螺丝扭矩/Torque Tightening(N·m/Lb.in)	M4, 1.54/14.0		
线径范围(硬线和软线)/Wire Range(rigid and flexible)(AWG/mm ²)	20~6 / 0.5~10		
间距/Pitch(mm)/线数范围/Poles	10.0/N=01P		
剥线长度/Stripping length(mm)	10~11		
使用温度范围/Operating temperature(°C)	-40~+105		
符合 RoHS 环保要求/Conform to RoHS	Yes		
标准颜色编号/Standard color number: PANTONE / RAL	/		

NO.	DESCRIPTION	MATERIAL NO.	NOTES
5	Screw	Steel	Zn_Plated
4	Current_carrier2	Copper	Sn_Plated
3	Current_carrier1	Copper	Sn_Plated
2	Fe_cage	SPCC	Zn_Plated
1	Housing	PA66	UL94V-0

DEGSON		MATERIAL:	SURFACE:
APPD: 李根芳	2021.12.09	MAT NO./REV: 11020000183-1 / 01	MAT STATUS: 批量,新物料
CHKD: 马恩开	2021.12.08	NAME: DCKKB10-01P-11-00A(H)	
DRFT: 霍恩榕	2021.12.04	DRAWING NO. 200024437	TYPE: CUSTOMER DRAWING
REV	ECN	DESCRIPTION	SCALE: 1:1
01		modify structure and logo	SHEET: 1/1

Transfer or duplication of this document as well as the utilization or communication of its contents are prohibited unless express authorization is granted. All rights reserved for patent, utility model or design registrations. 非经书面授权, 严禁禁止转让、复制、利用、交还本文件内容。一经发现, 侵权必究。本公司保留对涉及发明、实用新型和外观设计的所有权利。