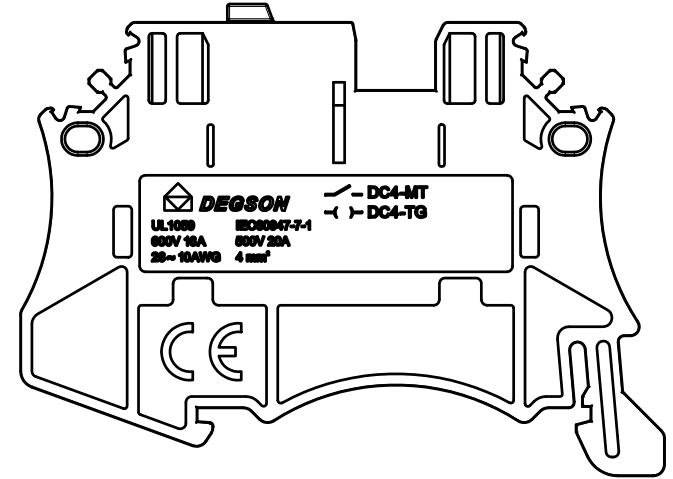
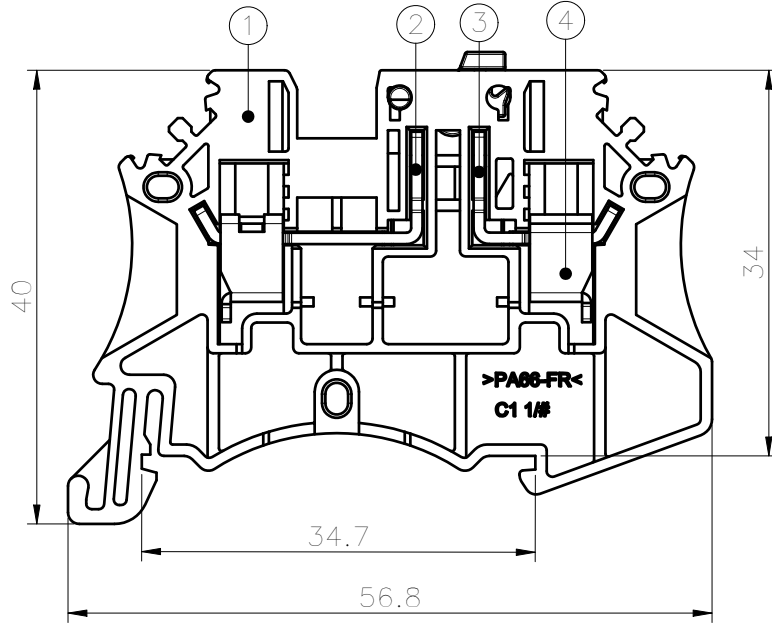
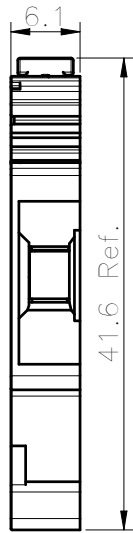
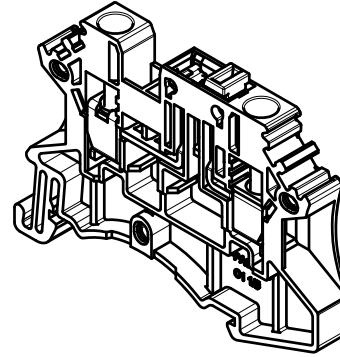
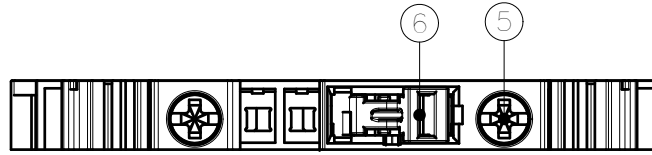


Transfer or duplication of this document as well as the utilization or communication of its contents are prohibited unless explicit authorization is granted. All rights reserved for patent, utility model or design registrations. 非经明确授权, 否则禁止转让、复制、利用、交回本文件内容。一经发现侵权, 侵权者将承担法律责任。本公司保留对涉及发明、实用新型和外观设计的所有权利。

Please refer to the 3D model, for these unmarked dimensions.

未注公差/General tolerances(mm)											D			
0	>3	>6	>10	>18	>30	>50	>80	>120	>180	>250	>315	>400	>500	0.1/10
3	~6	~10	~18	~30	~50	~80	~120	~180	~250	~315	~400	~500	~500	∠
±0.12	±0.18	±0.22	±0.26	±0.31	±0.37	±0.57	±0.80	±0.93	±1.05	±1.15	±1.60	±2.20	±2.50	±2'
UL 标准/UL Standard:											B	C	D	
额定电压/电流/Rated Voltage(V)/Current(A)											600V/16	600/16	/	
IEC 标准/IEC Standard:														
过压类别/Overvoltage Category/污染等级/Pollution Degree											III/3	III/2	II/2	
额定电压/电流/Rated Voltage(V)/Current(A)											500/20	/	/	
额定脉冲电压(KV)/Rate Impulse Voltage(KV)											6	/	/	
螺丝扭矩/Torque Tightening(N·m/Lb.in)											M3, 0.65/6			
线径范围(硬线和软线)/Wire Range(rigid and flexible)(AWG/mm ²)											26~10 / 0.5~4&6(Sol)			
间距/Pitch(mm)/线数范围/Poles											6.1/01P			
剥线长度/Stripping length(mm)											8~9			
使用温度范围/Operating temperature(°C)											-40~+105			
符合 RoHS 环保要求/Conform to RoHS											Yes			
标准颜色编号/Standard color number: PANTONE / RAL											/			



ITEM	NAME OF PART	MATERIAL	NOTES
6	Knife Switch	/	/
5	Screw	Steel	M3/Zn Plated
4	Cage	Steel	M3/Zn Plated
3	Current carrier 2	Copper alloy	Sn Plated
2	Current carrier 1	Copper alloy	Sn Plated
1	Housing	PA66	UL94 V-0

		MATERIAL:		SURFACE:	
		MAT NO./REV: 11020000187-1 / 00		MAT STATUS: 小批量,新物料	
APPD: 李根芳	2022.04.13	NAME			
CHKD: 马恩开	2022.04.08	DC4-MT-01P-11-00A(H)			
DRFT: 米帅	2022.04.08				
DRAWING NO.	TYPE	DRAWING STATUS	SCALE	SHEET	
200004350	CUSTOMER DRAWING	已发布	1.5:1	1/1	

REV	ECN	DESCRIPTION	DRFT	DATE
00	/	First version	米帅	2022.04.08