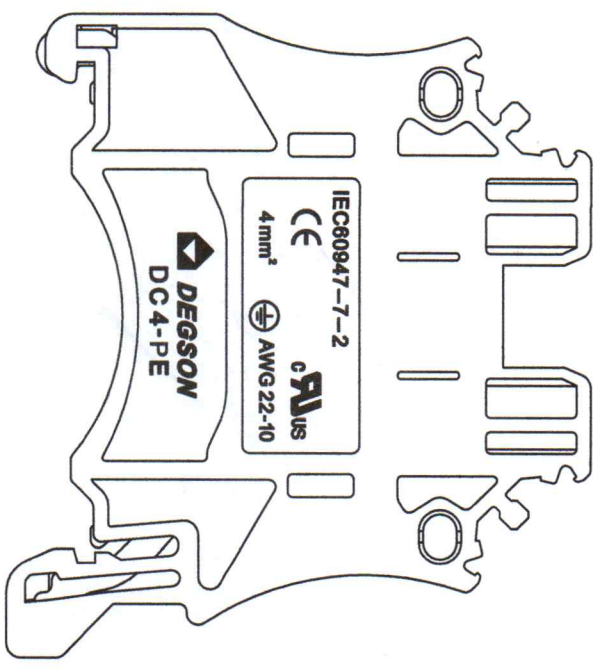
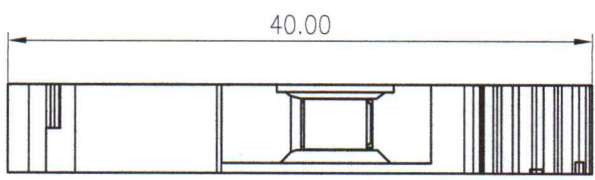
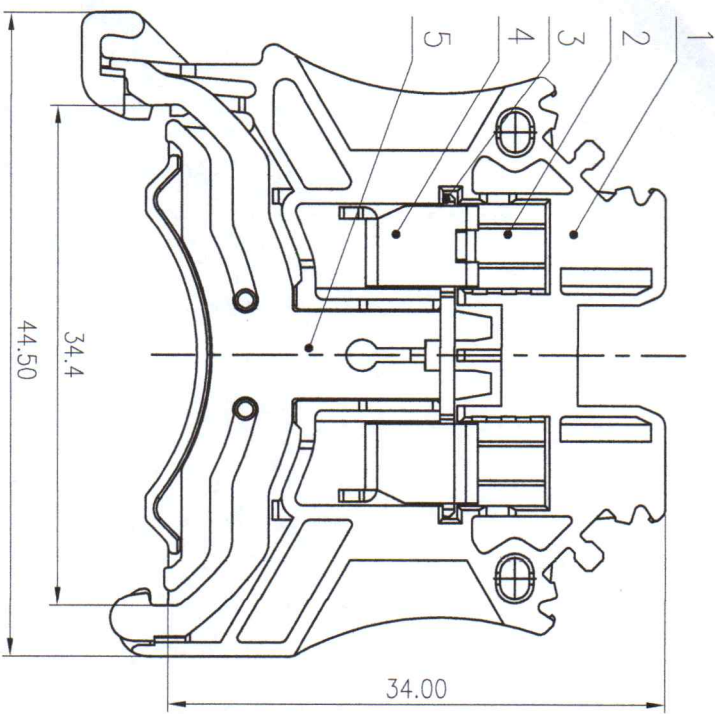
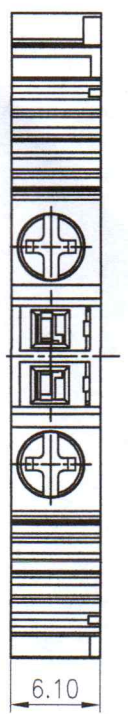


Transfer or duplication of this document as well as the utilization or communication of its contents are prohibited unless explicit authorization is granted. Violations will be liable for compensation. All rights reserved for patent, utility model or designs registrations. 除非给予明确授权, 否则禁止转让、复制、利用、交流本文件的内容。侵犯者将负赔偿责任。本公司保留对涉及发明、实用新型和外观专利的所有权利。



未注公差/General tolerances(mm)		0.1/10
0	>3	~
~	>6	~
~	>10	~
~	>18	~
3	~	~
6	10	~
18	30	~
30	50	~
50	80	~
80	120	~
120	180	~
180	250	~
250	315	~
315	400	~
400	500	~
500	>500	~
±0.12	±0.18	±0.22
±0.26	±0.31	±0.37
±0.57	±0.80	±1.05
±1.15	±1.60	±2.20
±2.50		

UL 标准/UL Standard:	B	C	D
额定电压/Rated Voltage(V)/Current(A)	/	/	/
IEC 标准/IEC Standard:	/	/	/
过压类别/Overvoltage Category/污染等级	III/3	III/2	II/2
额定电压/电流/Rated Voltage(V)/Current(A)	/	/	/
额定脉冲电压(KV)/Rate Impulse Voltage(KV)	8.0	/	/
螺丝扭矩/Torque Tightening(N·m/Lb.in)	M3, 0.66/6.0	/	/
线径范围(绝缘线和软线)/Wire Range(rigid and flexible)(mm²/AWG)	0.5~4/22~10	/	/
间距/Pitch(mm)/线数范围/Poles	6.10/01P	/	/
剥线长度/Stripping length(mm)	8-9	/	/
使用温度范围/Operating temperature(°C)	-40~+105	/	/
符合RoHS环保要求/Conform to RoHS	Yes	/	/
标准颜色编号/Standard color number:	/	/	/
PANTONE / RAL	/	/	/

MATERIAL: SURFACE:

MAT NO.: /
STATUS: /
APPD: /
CHKD: *Mark Zhang*
DRT: Hu at 2021/08/26

NAME: **DEGSON** 宁波高松电子有限公司
NINGBO DEGSON ELECTRICAL CO., LTD

DRAWING NO.: 11000729
TYPE: CUSTOMER DRAWING
SCALE: 1:1
REV TO 1/1

ITEM	NAME OF PART	MATERIAL	NOTES
5	Grounding body	Copper alloy	Sn Plated
4	Cage	Steel	Zn Plated
3	Current carrier	Copper	Sn Plated
2	Screw	Steel	M3/Zn Plated
1	Housing	PA66	UL94V-0

REV	EON	DESCRIPTION	DRT	DATE
1				