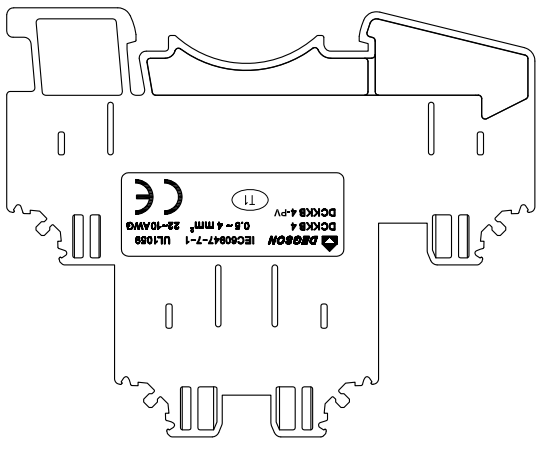
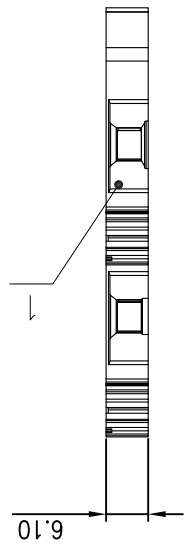
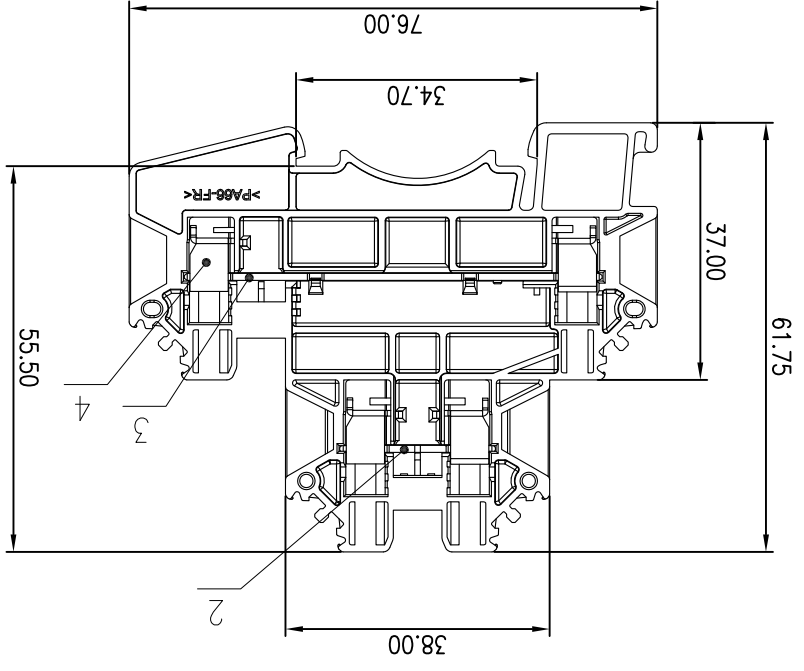


please refer to the 3D model, for those unmarked dimensions



REV	ECN	DESCRIPTION	DRFT	DATE	SIZE: A4	④
1	/	Printing change	hot	2022.03.11	mm (inch)	
DRAFT: WangW 2021.03.01						
CHKD:	DRAWING NO.: 11000558					
APPD:	NAME: DCKKB4-01P-1Y-00A(H)					
STATUS:	NINGBO DEGSON ELECTRICAL CO., LTD					
MAT NO.:	NINGBO DEGSON ELECTRICAL CO., LTD					
MATERIAL:	SURFACE: /					

UL 标准/UL Standard:	B	C	D
额定电压/电压/Rated Voltage(V)/Current(A)	300/30	300/30	/
EC 标准/IEC Standard:	III/3	III/2	II/2
污染/ Pollution Degree	III/3	III/2	II/2
额定电压/电压/Rated Voltage(V)/Current(A)	800/32	/	/
额定脉冲电压(KV)/Rate Impulse Voltage(KV)	8	/	/
螺丝扭矩/Torque Tightening(N·m/Lb·in)	M3, 0.6/5.3	/	/
线径范围(硬线和软线)/Wire Range(rigid and flexible)(AWG/mm ²)	22~10/0.5~4	/	/
间距/Pitch(mm)/线数范围/Poles	6.10/01P	/	/
剥线长度/Stripping length(mm)	8~9	/	/
使用温度范围/Operating temperature(°C)	-40~+105	/	/
符合RoHS环保要求/Conform to RoHS	Yes	/	/

ITEM	NAME OF PART	MATERIAL	NOTES
1	Housing	PA66	UL94V-0
2	Current carrier 1	Copper	Sn Plated
3	Current carrier 2	Copper	Sn Plated
4	Cage	Steel	M3/Zn Plated
5	Screw	Steel	M3/Zn Plated

公差/General tolerances(mm)	>18	>10	>6	>3	3	6	10	18	30	50	80	120	180	250	315	400	500	>500	
	±0.12	±0.10	±0.08	±0.06	±0.05	±0.04	±0.03	±0.02	±0.015	±0.01	±0.008	±0.006	±0.005	±0.004	±0.003	±0.002	±0.0015	±0.001	±0.0005