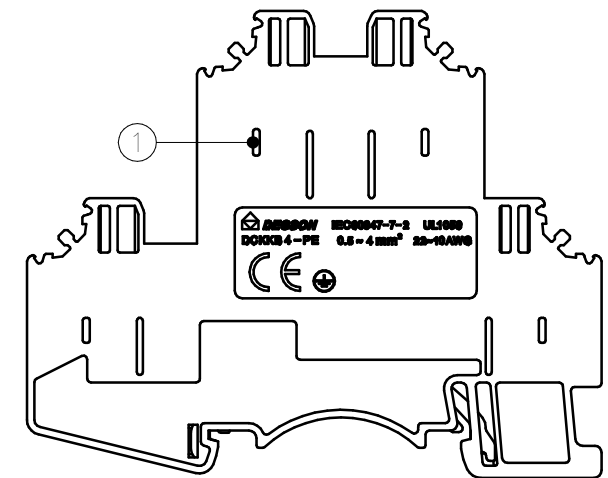
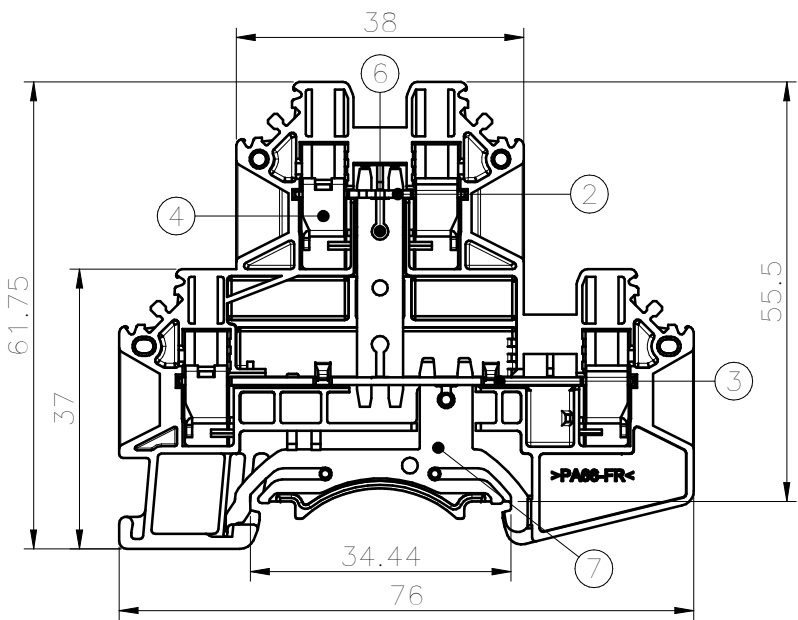
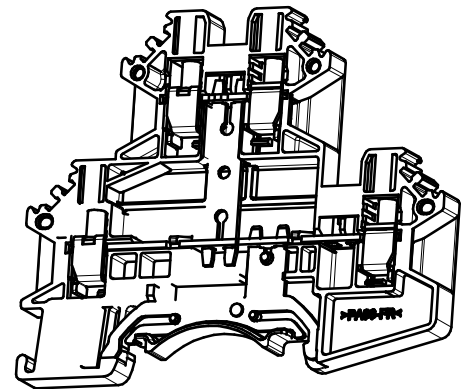
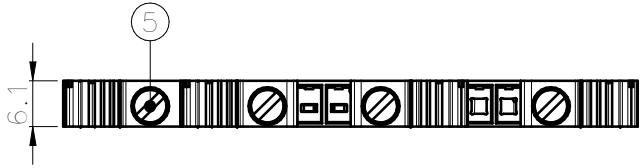


Please refer to the 3D model, for those unmarked dimensions

未注公差/General tolerances(mm)											0.1/10 ±2'		
0 ~ 3	>3 ~ 6	>6 ~ 10	>10 ~ 18	>18 ~ 30	>30 ~ 50	>50 ~ 80	>80 ~ 120	>120 ~ 180	>180 ~ 250	>250 ~ 315		>315 ~ 400	>400 ~ 500
±0.12	±0.18	±0.22	±0.26	±0.31	±0.37	±0.57	±0.80	±0.93	±1.05	±1.15	±1.60	±2.20	±2.50

UL 标准/UL Standard:	B	C	D
额定电压/电流/Rated Voltage(V)/Current(A)	/	/	/
IEC 标准/IEC Standard:			
过压类别/Overvoltage Category/污染等级/Pollution Degree	III/3	III/2	II/2
额定电压/电流/Rated Voltage(V)/Current(A)	/	/	/
额定脉冲电压(KV)/Rate Impulse Voltage(KV)	/	/	/
螺丝扭矩/Torque Tightening(N·m/Lb.in)	M3: 0.6/5.3		
线径范围(硬线和软线)/Wire Range(rigid and flexible)(AWG/mm ²)	22~10 / 0.5~4		
间距/Pitch(mm)/线数范围/Poles	6.1/N=01P		
剥线长度/Stripping length(mm)	8~9		
使用温度范围/Operating temperature(°C)	-40~+105		
符合 RoHS 环保要求/Conform to RoHS	Yes		
标准颜色编号/Standard color number: PANTONE / RAL	/		



ITEM	NAME OF PART	MATERIAL	NOTES
7	Grounding	Copper alloy	Sn Plated
6	Current carrier 3	Copper	Sn Plated
5	Screw	Steel	M3/Zn Plated
4	Cage	Steel	M3/Zn Plated
3	Current carrier 2	Copper	Sn Plated
2	Current carrier 1	Copper	Sn Plated
1	Housing	PA66	UL94V-0

		MATERIAL:	SURFACE:	
APPD: 李根旁	2022.01.12	MAT NO./REV: 11020000070-1 / 00.01	MAT STATUS: 批量	
CHKD: 马恩开	2022.01.11	NAME		
DRFT: 米帅	2022.01.07	DCKKB4-PE-01P-1C-00A (H)		
REV	ECN	DRAWING NO.	TYPE	DRAWING STATUS
00	/	200048684	CUSTOMER DRAWING	已发布
DESCRIPTION		SCALE	SHEET	
量产图面发行		1:1	1/1	
DRFT	DATE			
米帅	2022.01.07			

Transfer or duplication of this document as well as the utilization or communication of its contents without the written consent of DEGSON will be liable for compensation. All rights reserved for patent, utility model or designs registrations. 非经书面明确授权，否则禁止转让、复制、利用、交流本文件的内容，否则将依法追究。本公司保留对涉及发明、实用新型和外观设计的所有权利。