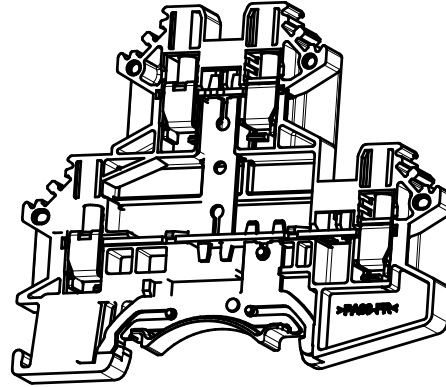
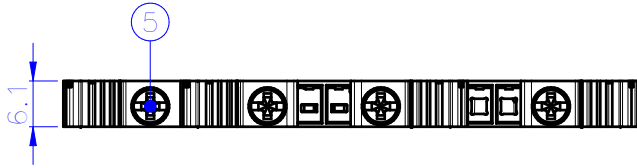
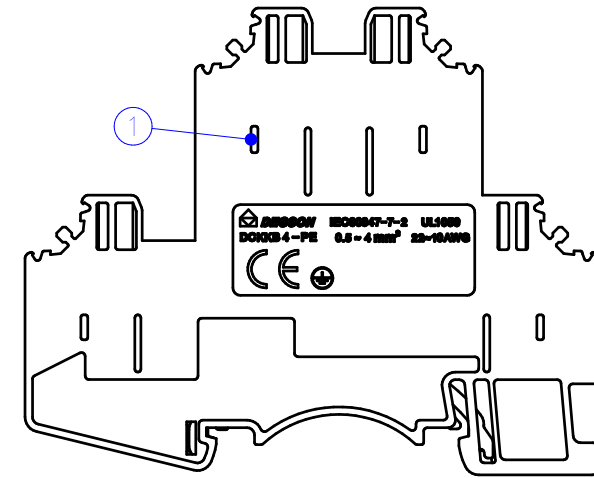
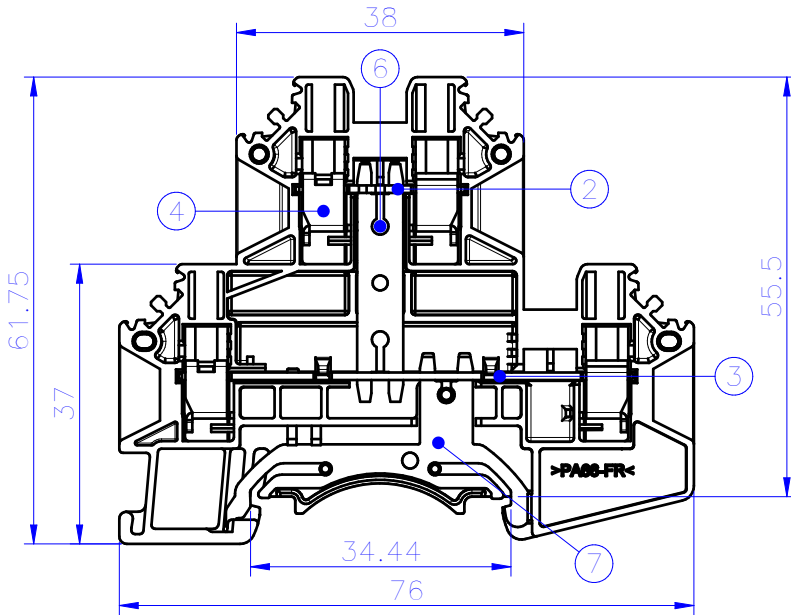


Please refer to the 3D model, for those unmarked dimensions

未注公差/General tolerances(mm)											0.1/10 ±2'		
0	>3	>6	>10	>18	>30	>50	>80	>120	>180	>250		>315	>400
~3	~6	~10	~18	~30	~50	~80	~120	~180	~250	~315	~400	~500	~500
±0.12	±0.18	±0.22	±0.26	±0.31	±0.37	±0.57	±0.80	±0.93	±1.05	±1.15	±1.60	±2.20	±2.50



UL 标准/UL Standard:	B	C	D
额定电压/电流/Rated Voltage(V)/Current(A)	/	/	/
IEC 标准/IEC Standard:			
过压类别/Overvoltage Category/污染等级/Pollution Degree	III/3	III/2	II/2
额定电压/电流/Rated Voltage(V)/Current(A)	/	/	/
额定脉冲电压(KV)/Rate Impulse Voltage(KV)	/	/	/
螺丝扭矩/Torque Tightening(N·m/Lb.in)	M3, 0.6/5.3		
线径范围(硬线和软线)/Wire Range(rigid and flexible)(AWG/mm ²)	22~10 / 0.5~4		
间距/Pitch(mm)/线数范围/Poles	6.1/N=01P		
剥线长度/Stripping length(mm)	8~9		
使用温度范围/Operating temperature(°C)	-40~+105		
符合 RoHS 环保要求/Conform to RoHS	Yes		
标准颜色编号/Standard color number: PANTONE / RAL	/		



ITEM	NAME OF PART	MATERIAL	NOTES
7	Grounding	Copper alloy	Sn Plated
6	Current carrier 3	Copper	Sn Plated
5	Screw	Steel	M3/Zn Plated
4	Cage	Steel	M3/Zn Plated
3	Current carrier 2	Copper	Sn Plated
2	Current carrier 1	Copper	Sn Plated
1	Housing	PA66	UL94V-0

		MATERIAL:	SURFACE:	
		MAT NO./REV: 11020000193-1 / 00		MAT STATUS: 批量
APPD: 李根芳	2021.09.01	NAME		
CHKD: 马恩开	2021.08.31	DCKKB4-PE-01P-1C-02A(H)		
DRFT: 米帅	2021.08.31	DRAWING NO.	TYPE	DRAWING STATUS
		200011048	CUSTOMER DRAWING	已发布
SCALE	SHEET			
1:1	1/1			

REV	ECN	DESCRIPTION	DRFT	DATE
00		首版发行	米帅	2021.08.31

Transfer or duplication of this document as well as the utilization or communication of its contents are prohibited unless authorized. All rights reserved for patent, utility model or designs registrations. 非经书面授权, 复制或传播本文件内容, 侵权必究。 未经授权, 复制或传播本文件内容, 侵权必究。 未经授权, 复制或传播本文件内容, 侵权必究。