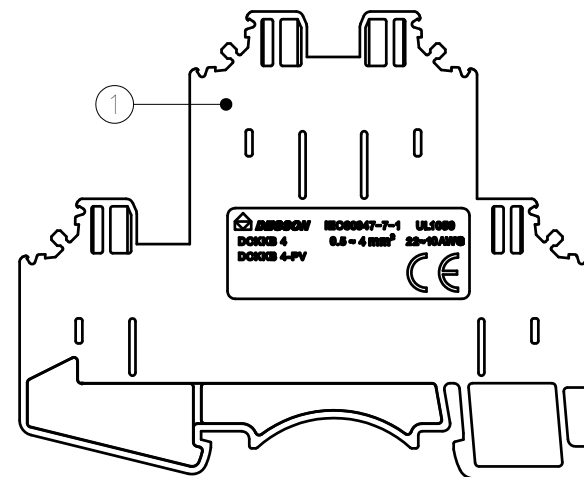
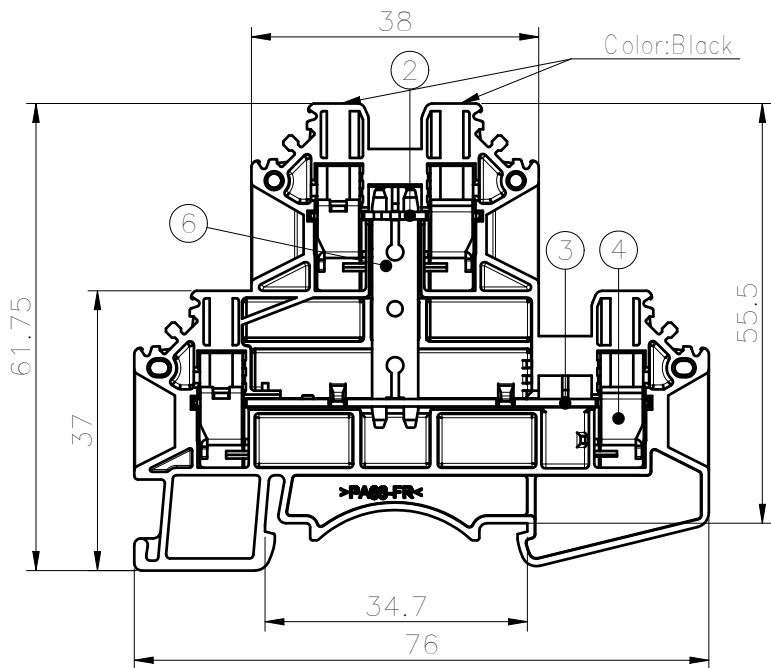
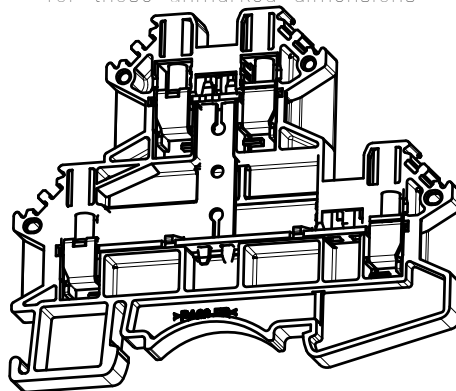
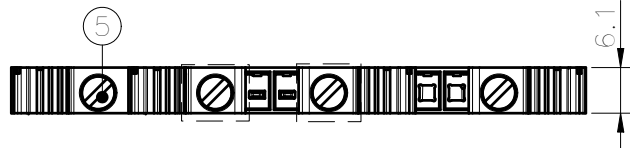


Transfer or duplication of this document as well as the utilization or communication of its contents are prohibited unless express authorization is granted. Degson will be liable for compensation. All rights reserved for patent, utility model or designs registrations. 非经书面授权, 否则禁止转让、复制、利用、交加本文件的内容, 一经发现, 侵权者将承担赔偿责任。本公司保留对涉及发明、实用新型和外观设计的所有权利。

please refer to the 3D model, for those unmarked dimensions

| 未注公差/General tolerances(mm) | | | | | | | | | | | | | D 0.1/10 | |
|-----------------------------|-------|-------|-------|-------|-------|-------|-------|-------|-------|-------|-------|-------|-------------|------|
| 0 | >3 | >6 | >10 | >18 | >30 | >50 | >80 | >120 | >180 | >250 | >315 | >400 | | >500 |
| ±0.12 | ±0.18 | ±0.22 | ±0.26 | ±0.31 | ±0.37 | ±0.57 | ±0.80 | ±0.93 | ±1.05 | ±1.15 | ±1.60 | ±2.20 | ±2.50 | ±2' |

| | | | |
|--|---------------|--------|------|
| UL 标准/UL Standard: | B | C | D |
| 额定电压/电流/Rated Voltage(V)/Current(A) | 300/30 | 300/30 | / |
| IEC 标准/IEC Standard: | | | |
| 过压类别/Overvoltage Category/污染等级/Pollution Degree | III/3 | III/2 | II/2 |
| 额定电压/电流/Rated Voltage(V)/Current(A) | 800/32 | / | / |
| 额定脉冲电压(KV)/Rate Impulse Voltage(KV) | 8 | / | / |
| 螺丝扭矩/Torque Tightening(N·m/Lb.in) | M3, 0.6/5.3 | | |
| 线径范围(硬线和软线)/Wire Range(rigid and flexible)(AWG/mm ²) | 22~10 / 0.5~4 | | |
| 间距/Pitch(mm)/线数范围/Poles | 6.1/N=01P | | |
| 剥线长度/Stripping length(mm) | 8~9 | | |
| 使用温度范围/Operating temperature(°C) | -40~+105 | | |
| 符合 RoHS 环保要求/Conform to RoHS | Yes | | |
| 标准颜色编号/Standard color number: PANTONE / RAL | / | | |



| ITEM | NAME OF PART | MATERIAL | NOTES |
|------|-------------------|----------|--------------|
| 6 | Current carrier 3 | Copper | Sn Plated |
| 5 | Screw | Steel | M3/Zn Plated |
| 4 | Cage | Steel | M3/Zn Plated |
| 3 | Current carrier 2 | Copper | Sn Plated |
| 2 | Current carrier 1 | Copper | Sn Plated |
| 1 | Housing | PA66 | UL94V-0 |

| | | | | |
|-----------|------------|---------------------------------|------------------|-----------------|
| | | MATERIAL: | SURFACE: | |
| | | MAT NO./REV: 11020000127-1 / 01 | | MAT STATUS: 小批量 |
| APPD: 李根芳 | 2022.01.07 | NAME | | |
| CHKD: 马恩开 | 2022.01.07 | DCKKB4-PV-01P-11-00A(H) | | |
| DRFT: 米帅 | 2022.01.07 | DRAWING NO. | TYPE | DRAWING STATUS |
| | | 200014572 | CUSTOMER DRAWING | SCALE |
| | | | | 1:1 |
| | | | | SHEET |
| | | | | 1/1 |

| REV | ECN | DESCRIPTION | DRFT | DATE |
|-----|-----|-------------|------|------------|
| 01 | ECN | 变更刻字 | 胡瑞敬 | 2022.03.28 |