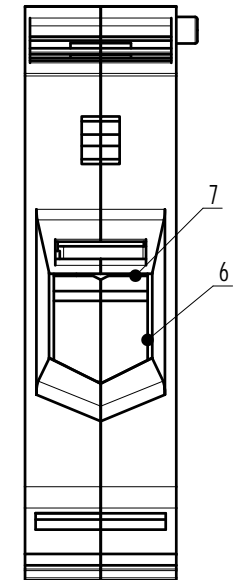
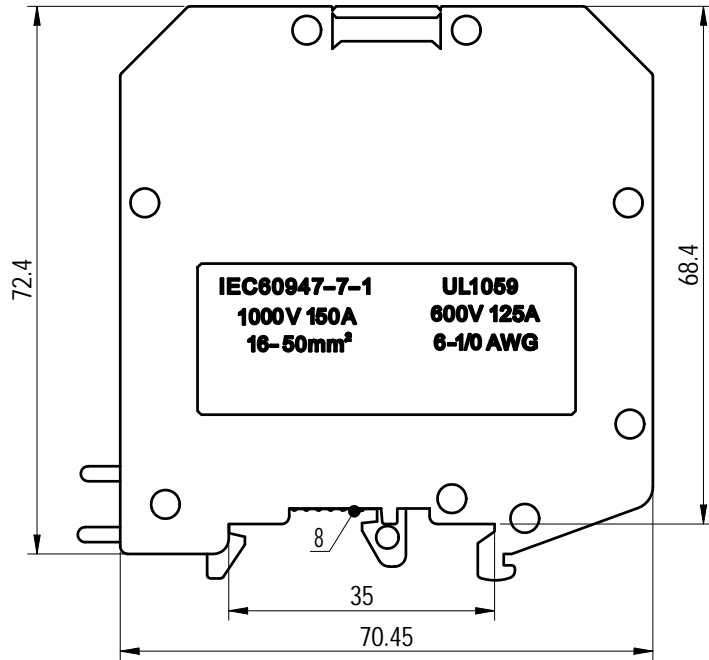
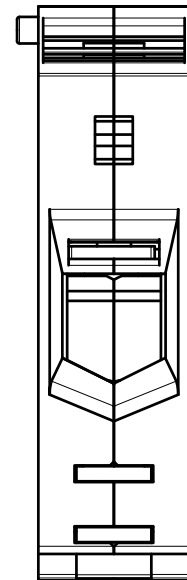
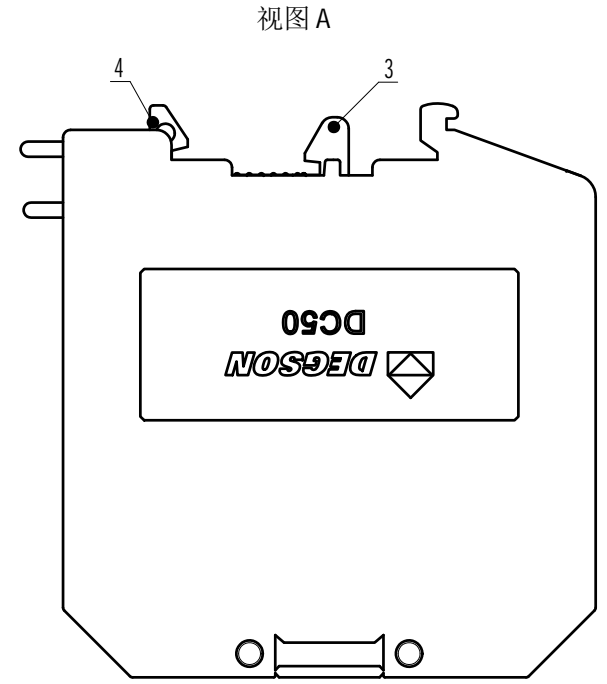
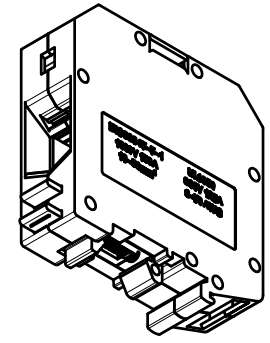
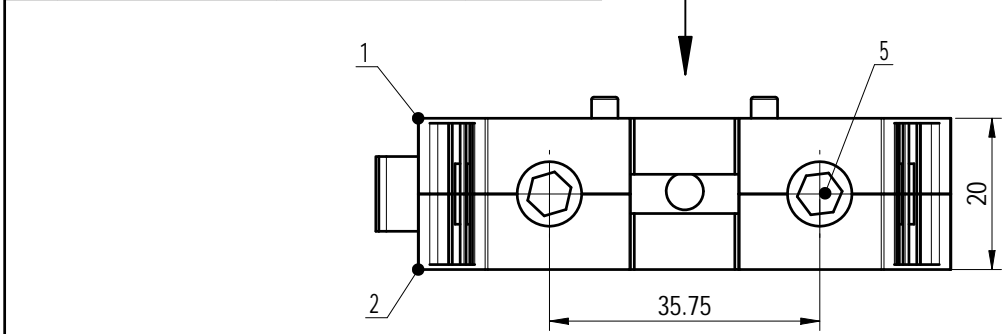


Transfer or duplication of this document as well as the utilization or communication of its contents are prohibited unless authorized in writing by the copyright owner. All rights reserved for patent, utility model or design registrations. 除专利、实用新型、外观设计、发明专利、软件著作权、集成电路布图设计专有权、商业秘密和未公开的其它知识产权外，其他知识产权均由权利人保留。未经许可，不得复制或传播。

FOR-1755 Rev. 1.7

8	Spring	Spring steel	/
7	Current Carrier	Copper	Sn Plated
6	Cage	Steel	Zn Plated
5	M5(+)-screw	Steel	Zn Plated
4	Slip Component two	PA66	UL94V-0
3	Slip Component one	PA66	UL94V-0
2	Housing two	PA66	UL94V-0
1	Housing one	PA66	UL94V-0
ITEM	NAME OF PART	MATERIAL	NOTES

未注公差/General tolerances (mm)													0.1/10	
0 ~ 3	>3 ~ 6	>6 ~ 10	>10 ~ 18	>18 ~ 30	>30 ~ 50	>50 ~ 80	>80 ~ 120	>120 ~ 180	>180 ~ 250	>250 ~ 315	>315 ~ 400	>400 ~ 500		>500
±0.12	±0.18	±0.22	±0.26	±0.31	±0.37	±0.57	±0.80	±0.93	±1.05	±1.15	±1.60	±2.20	±2.50	±2'



UL 标准/UL Standard:	B	C	D
额定电压/电流/Rated Voltage(V)/Current(A)	600/125	600/125	600/5
IEC 标准/IEC Standard:			
过压类别/Overvoltage Category/污染等级/Pollution Degree	III/3	III/2	II/2
额定电压/电流/Rated Voltage(V)/Current(A)	1000/150	/	/
额定脉冲电压(KV)/Rate Impulse Voltage(KV)	8	/	/
螺丝扭矩/Torque Tightening(N·m/Lb.in)	M6.6.0/52.17		
线径范围(硬线和软线)/Wire Range(rigid and flexible)(AWG/mm²)	6~1/0/16~50		
间距/Pitch(mm)	20		
剥线长度/Stripping length(mm)	22~23		
使用温度范围/Operating temperature(°C)	-40~+105		
符合RoHS环保要求/Conform to RoHS	Yes		
标准颜色编号/Standard color number: PANTONE / RAL	/		

		MATERIAL: /	SURFACE/COLOR: /
		MAT NO./REV: /	MAT STATUS: /
APPD: Peng M	2022.08.21	NAME	
CHKD: Gao WG	2022.08.21	DC50-01P-1Y-01A(H)	
DRFT: Huang RJ	2022.08.21	DRAWING NO.	TYPE
		/	CUSTOMER DRAWING
		DRAWING STATUS	SCALE
		/	1:1
		SHEET	1/1

00	/	/	Huang RJ	2022.08.21
REV	ECN	DESCRIPTION	DRFT	DATE

1 2 3 4 5 6