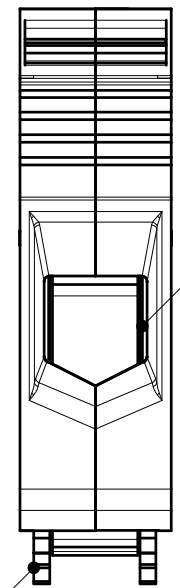
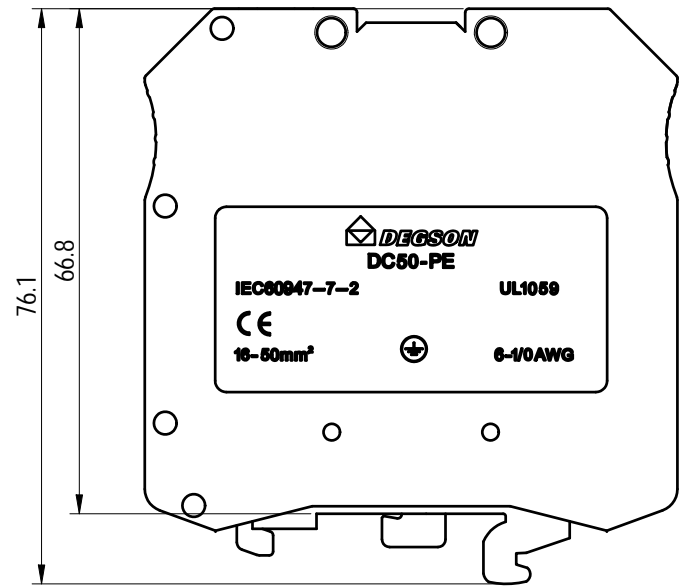
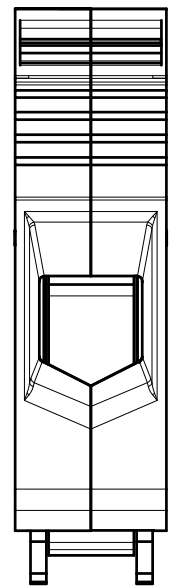
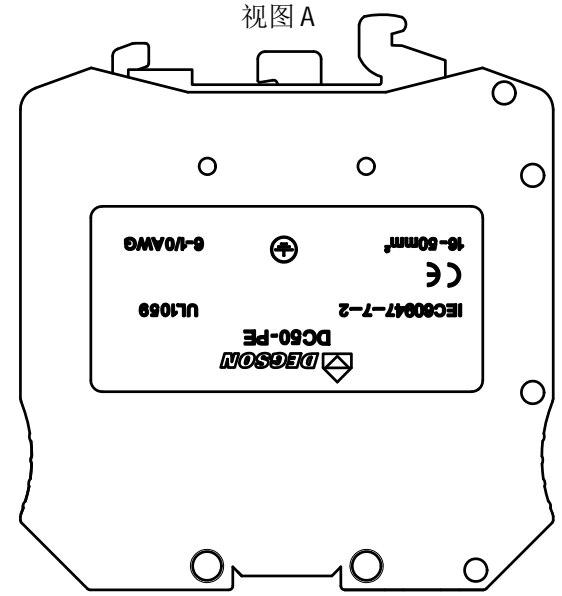
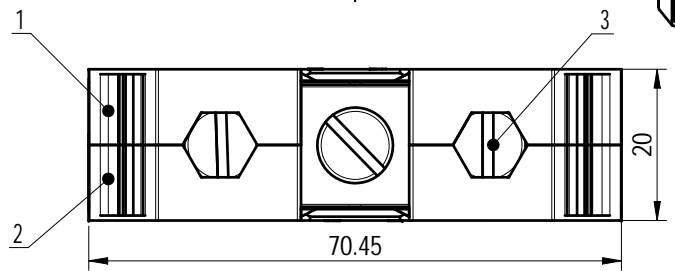
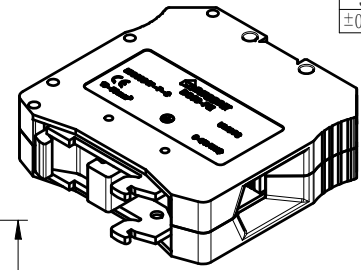


Transfer or duplication of this document as well as the utilization or communication of its content are prohibited unless authorized in writing by Degson. All rights reserved for patent. 除专利注明情况外，未经许可，不得复制或传播。 未经授权，不得复制或传播。 未经授权，不得复制或传播。 未经授权，不得复制或传播。

FOR-1755 Rev. 1.7

5	Ground contact	/	/
4	Cage	Steel	Zn Plated
3	Screw	Copper Alloy	Zn Plated
2	Housing2	PA66	UL94V-0
1	Housing1	PA66	UL94V-0
ITEM	NAME OF PART	MATERIAL	NOTES

未注公差/General tolerances (mm)														
0	>3	>6	>10	>18	>30	>50	>80	>120	>180	>250	>315	>400	>500	0.1/10 ±2'
~	~	~	~	~	~	~	~	~	~	~	~	~	~	
±0.12	±0.18	±0.22	±0.26	±0.31	±0.37	±0.57	±0.80	±0.93	±1.05	±1.15	±1.60	±2.20	±2.50	



5	Ground contact	/	/
4	Cage	Steel	Zn Plated
3	Screw	Copper Alloy	Zn Plated
2	Housing2	PA66	UL94V-0
1	Housing1	PA66	UL94V-0
ITEM	NAME OF PART	MATERIAL	NOTES

UL 标准/UL Standard:	B	C	D
额定电压/电流/Rated Voltage(V)/Current(A)	/	/	/
IEC 标准/IEC Standard:			
过压类别/Overvoltage Category/污染等级/Pollution Degree	III/3	III/2	II/2
额定电压/电流/Rated Voltage(V)/Current(A)	/	/	/
额定脉冲电压(KV)/Rate Impulse Voltage(KV)	8	/	/
螺丝扭矩/Torque Tightening(N·m/Lb.in)	M6, 6.0/52.17		
线径范围(硬线和软线)/Wire Range (rigid and flexible)(AWG/mm²)	6-1/0 / 16-50		
间距/Pitch(mm)/线数范围/Poles	20/N=01P		
剥线长度/Stripping length(mm)	22~23		
使用温度范围/Operating temperature(°C)	-40~+105		
符合RoHS环保要求/Conform to RoHS	Yes		
标准颜色编号/Standard color number: PANTONE / RAL	/		

<b>DEGSON</b>		MATERIAL: /	SURFACE/COLOR: /
		MAT NO./REV: /	MAT STATUS: /
APPD: Peng M	2022.08.21	NAME	
CHKD: Gao WG	2022.08.21	DC50-PE-01P-1Y-00A (H)	
DRFT: Huang RJ	2022.08.21	DRAWING NO. /	TYPE CUSTOMER DRAWING
00	/	DRAWING STATUS /	SCALE 1:1
REV	ECN	DESCRIPTION	SHEET 1/1

00	/	/	Huang RJ	2022.08.21
REV	ECN	DESCRIPTION	DRFT	DATE

